

4

3

2

1

D

D

C

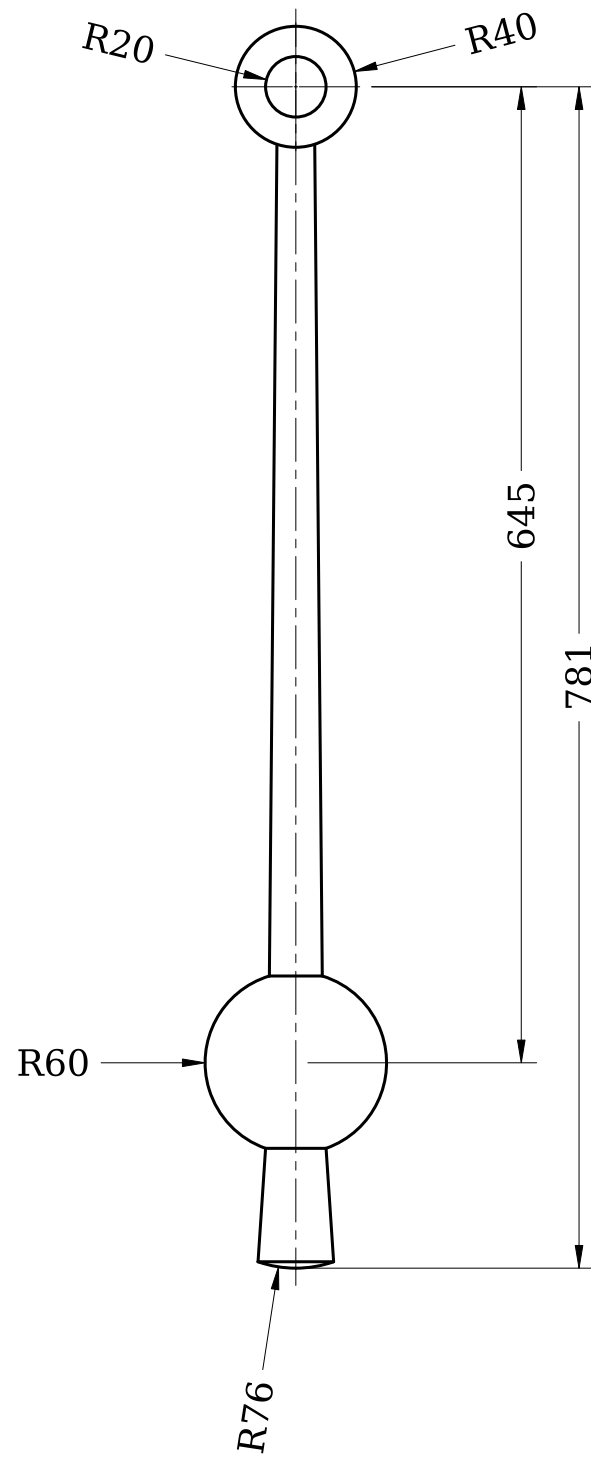
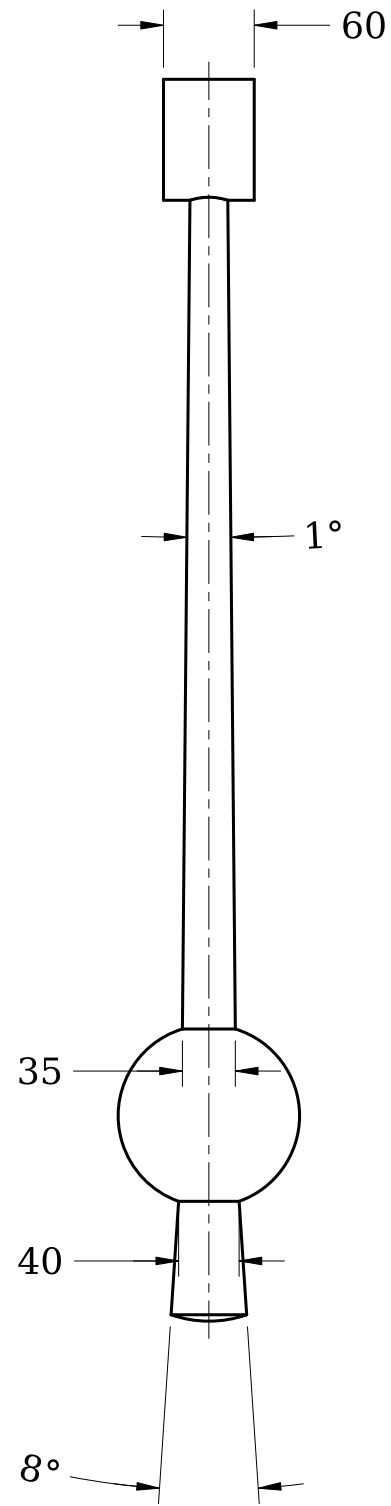
C

B

B

A

A



	NAME	DATE	TITLE	
	FLORIAN NIEBL	08.01.2023	CLAPPER	
DRAWN	RODRIGO CASTEDO-HERNANDEZ SIMON-HAUKE WICHMANN			
FIRST ANGLE PROJECTION			SIZE	DWG NO.
			A3	1
			SCALE	WEIGHT
			1:5	SHEET 1 of 3

4

3

2

1

4

3

2

1

D

D

C

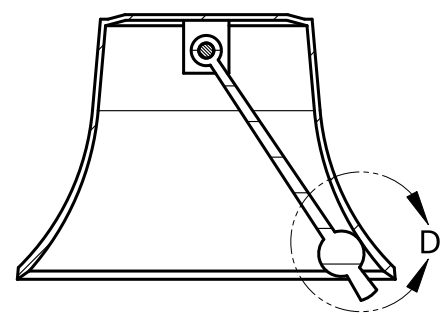
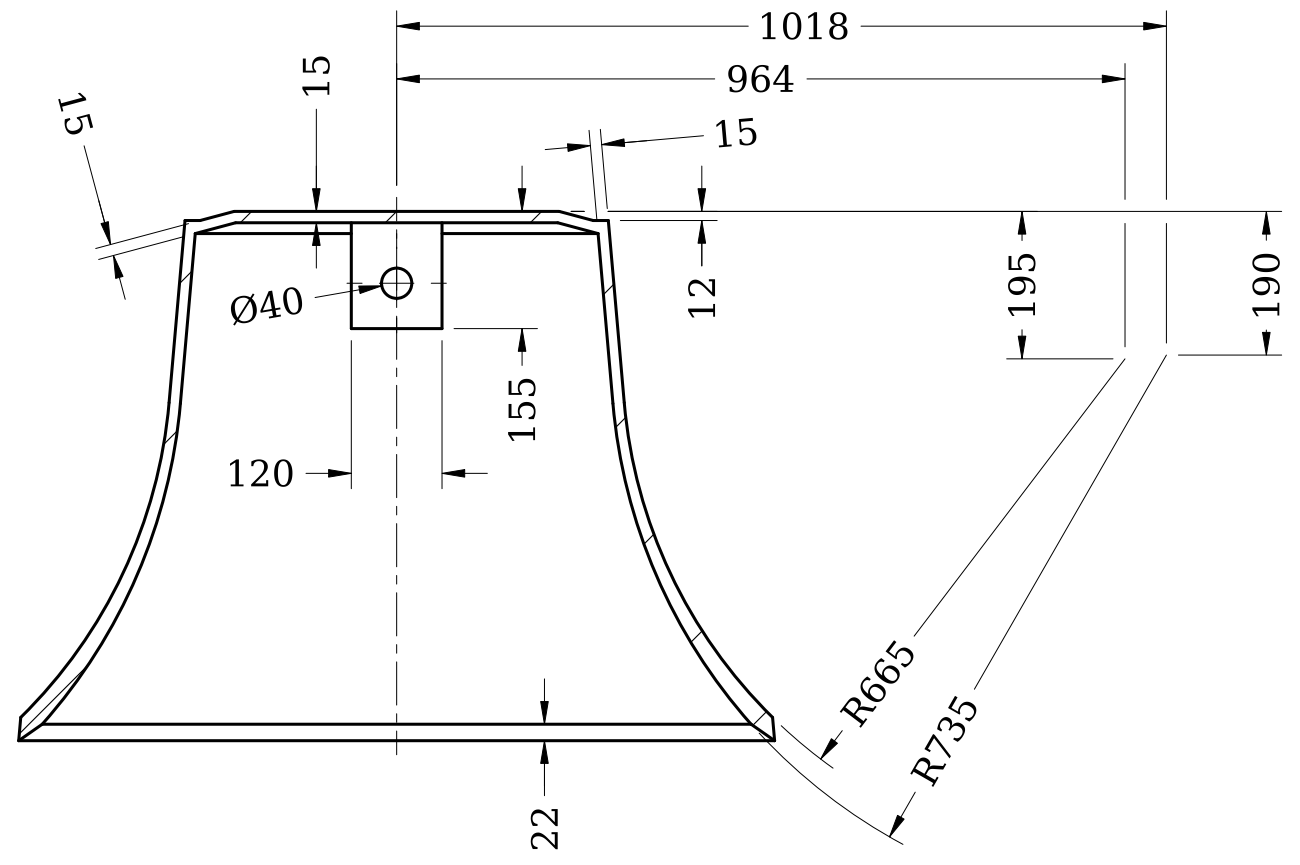
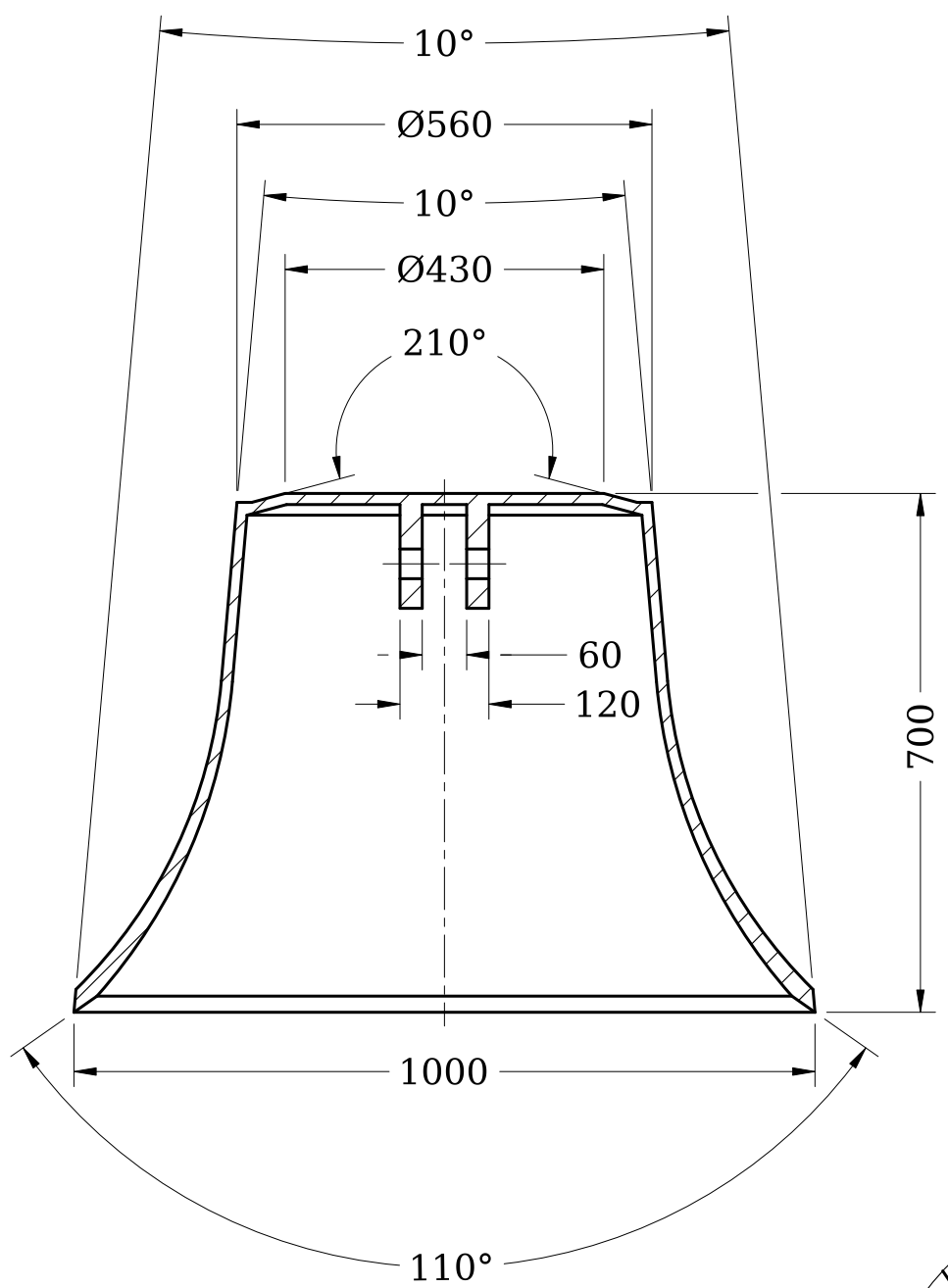
C

B

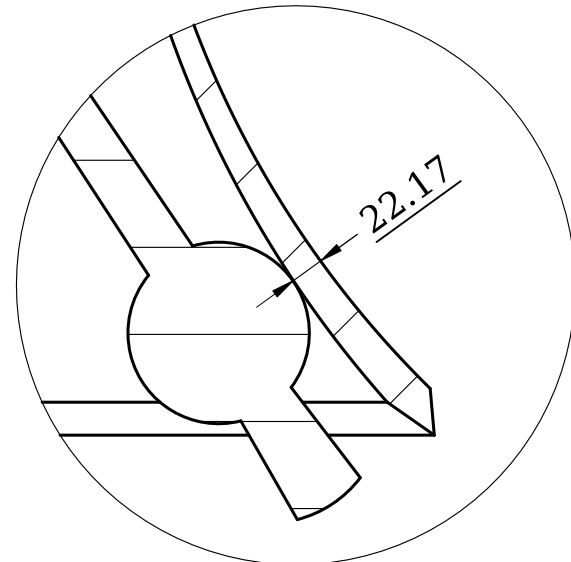
B

A

A

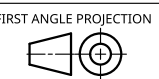


SCALE 1:20



DETAIL D  
Thickness at the impact point

	NAME	DATE	TITLE	
DRAWN	FLORIAN NIEBL RODRIGO CASTEDO-HERNANDEZ SIMON-HAUKE WICHMANN	08.01.2023	BELL	
	SIZE	DWG. NO.	2	REV.
	SCALE	WEIGHT	1:10	SHEET 2 of 3



4

3

2

1

D

D

C

C

B

B

A

A



	NAME	DATE	TITLE	
DRAWN	FLORIAN NIEBL RODRIGO CASTEDO-HERNANDEZ SIMON-HAUKE WICHMANN	08.01.2023	PIN	
	SIZE	DWG NO.	REV.	
FIRST ANGLE PROJECTION		A3	3	
		SCALE 1:1	WEIGHT	SHEET 3 of 3

4

3

2

1