

4

3

2

1

D

D

C

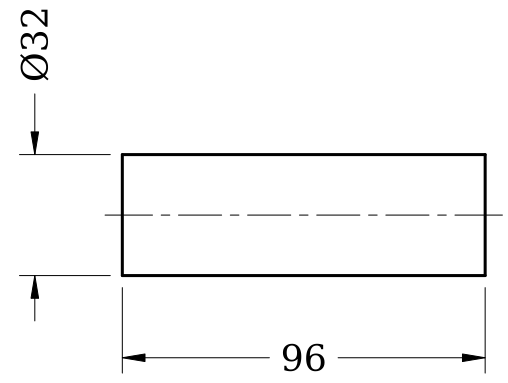
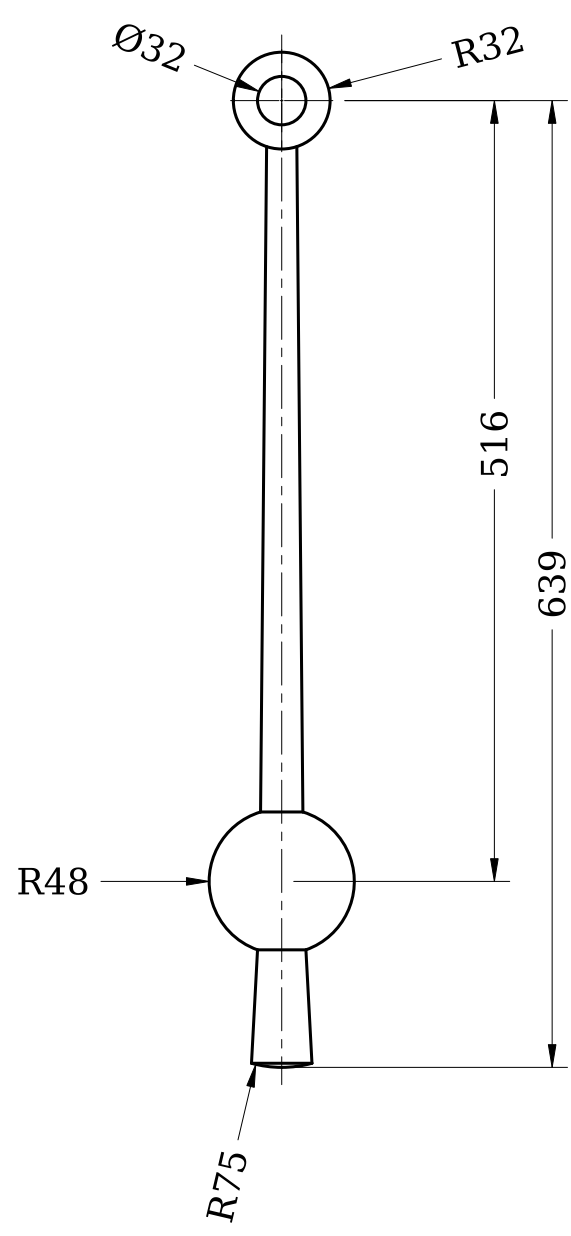
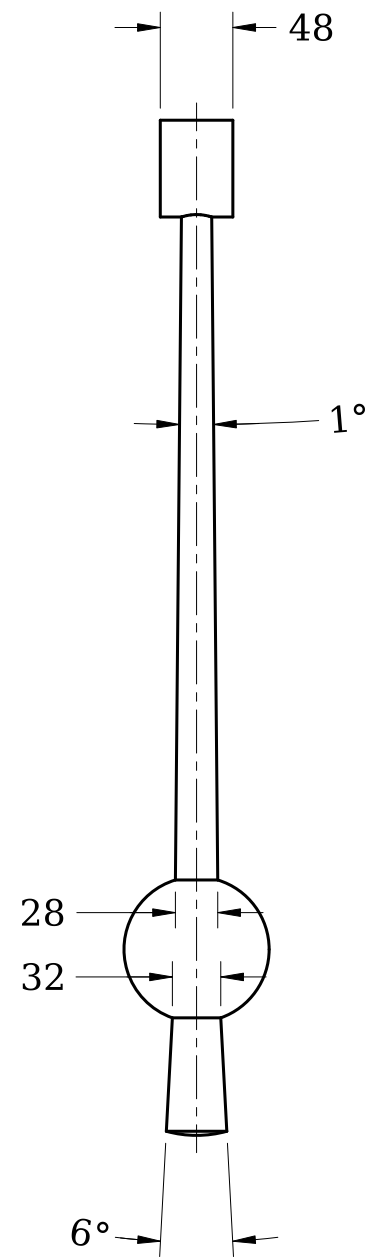
C

B

B

A

A



SCALE 1:2

	NAME	DATE	TITLE	
DRAWN	FLORIAN NIEBL RODRIGO CASTEDO-HERNANDEZ SIMON-HAUKE WICHMANN	08.01.2023	CLAPPER and PIN 0.8m	
	SIZE	DWG. NO.	1	REV.
	SCALE	1:5	dimensions in mm	SHEET 1 of 6

4

3

2

1

4

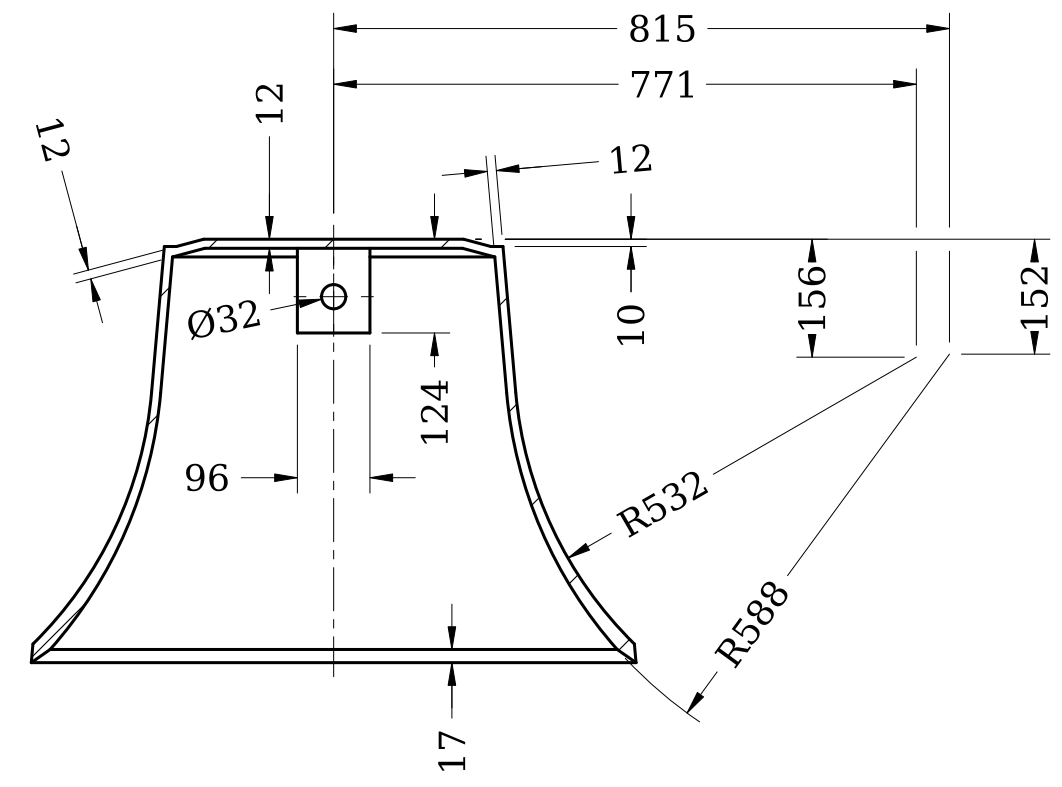
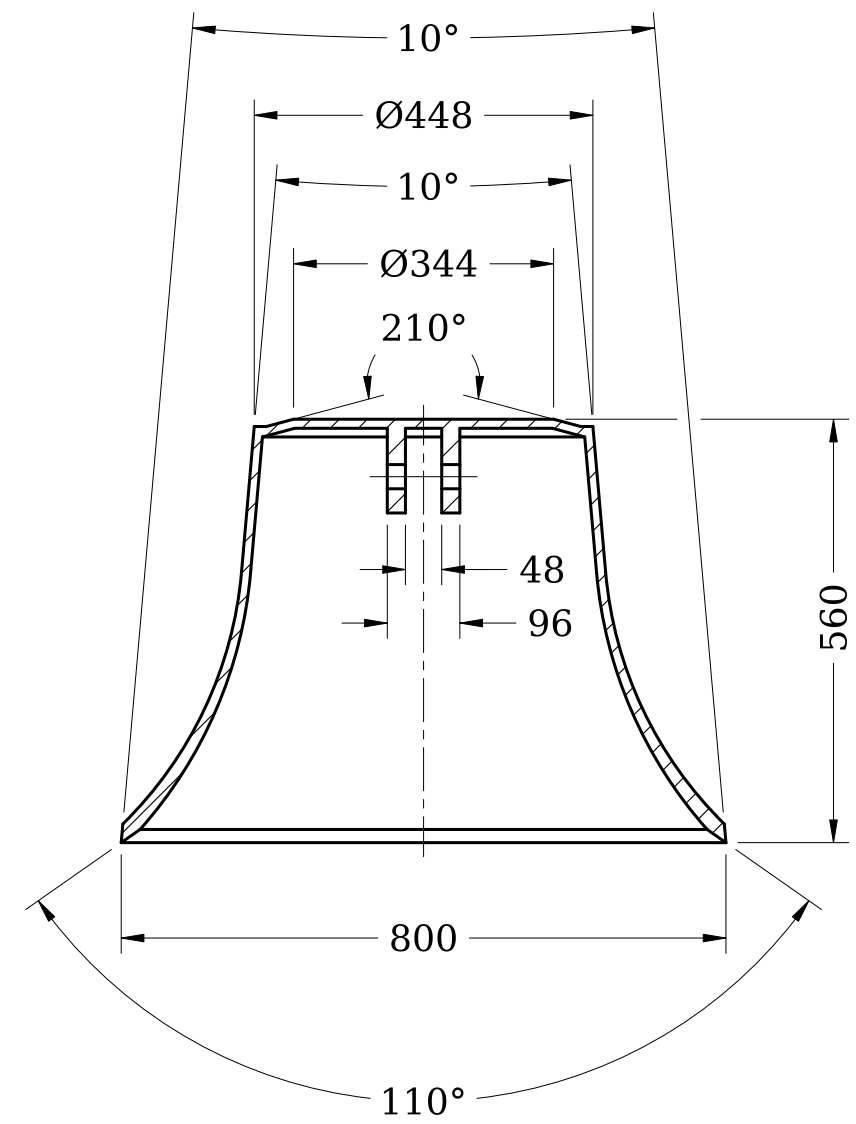
3

2

1

D

D

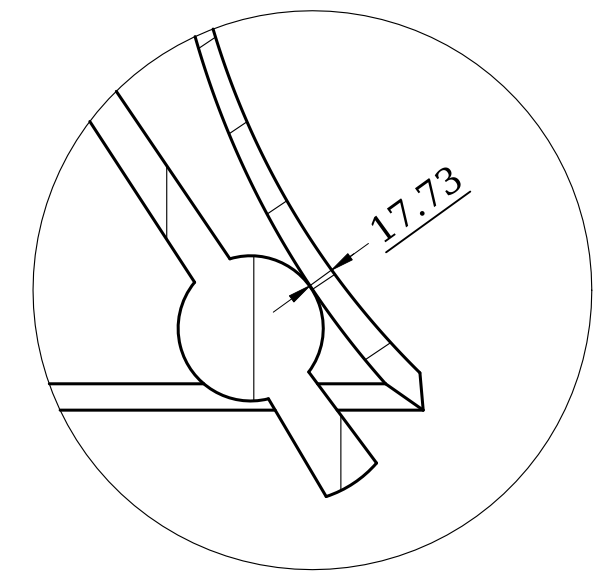
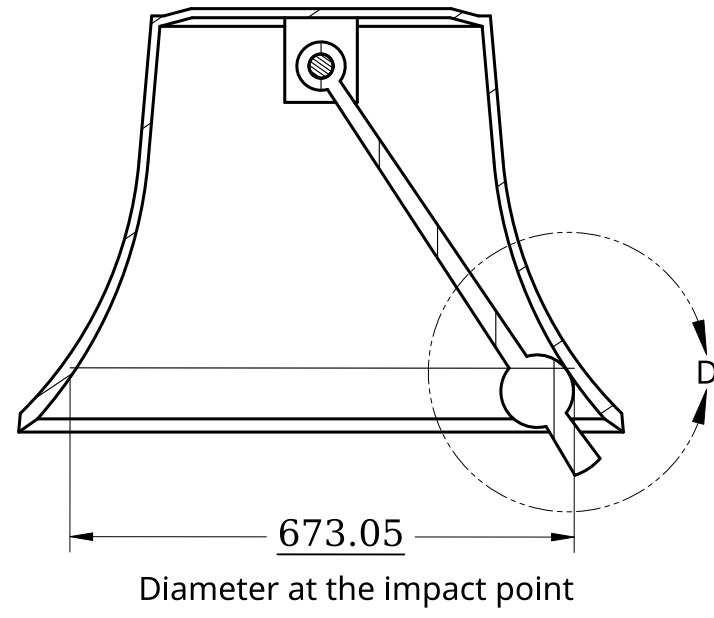


C

C

B

B



DETAIL D
 Thickness at the impact point

A

A

	NAME	DATE	TITLE	
	FLORIAN NIEBL	08.01.2023	BELL 0.8m	
DRAWN	RODRIGO CASTEDO-HERNANDEZ		SIZE	DWG NO.
	SIMON-HAUKE WICHMANN		A3	2
FIRST ANGLE PROJECTION			SCALE	SHEET
			1:10	2 of 6

4

3

2

1

4

3

2

1

D

D

C

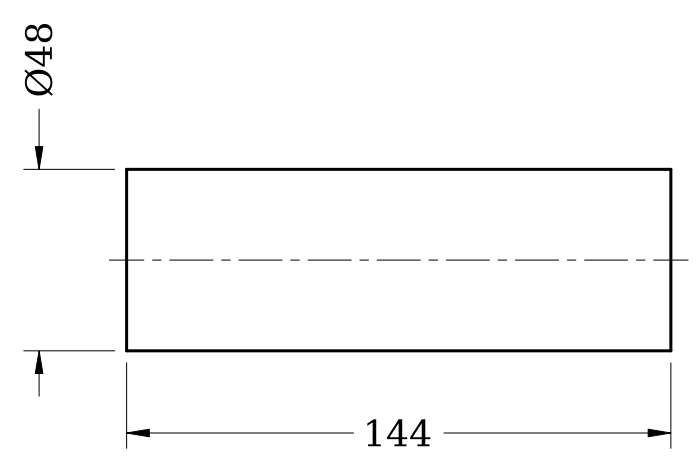
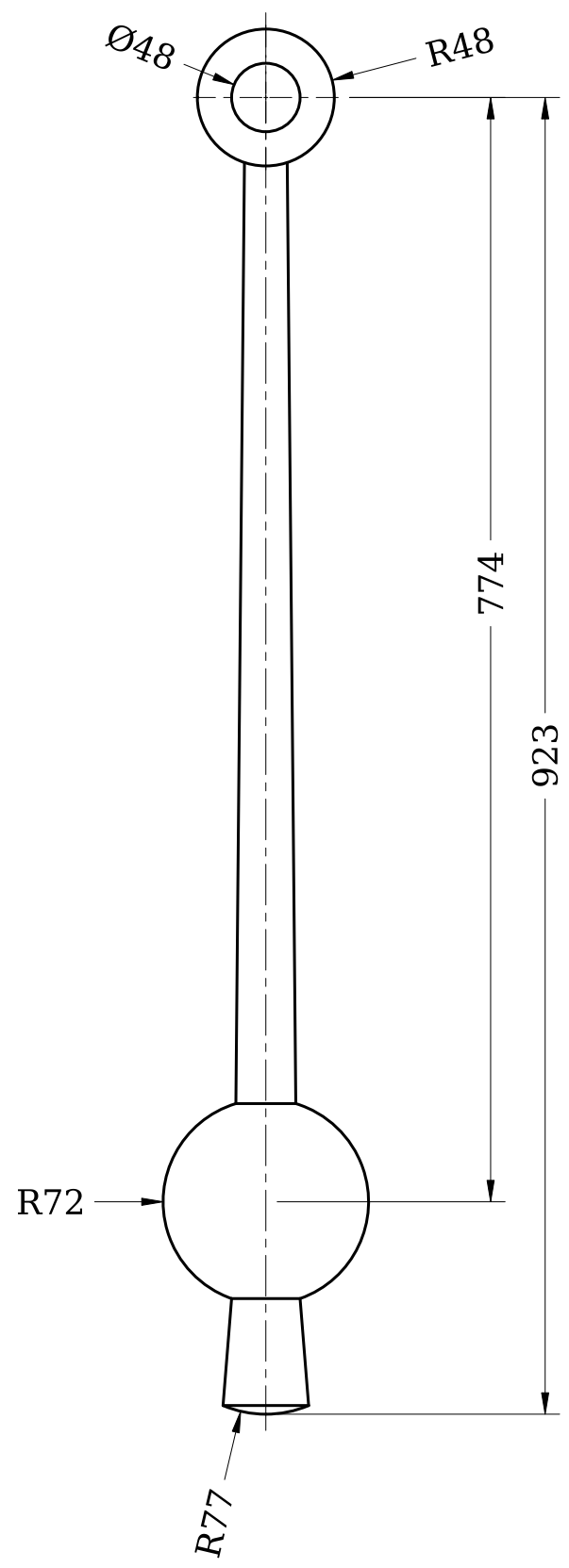
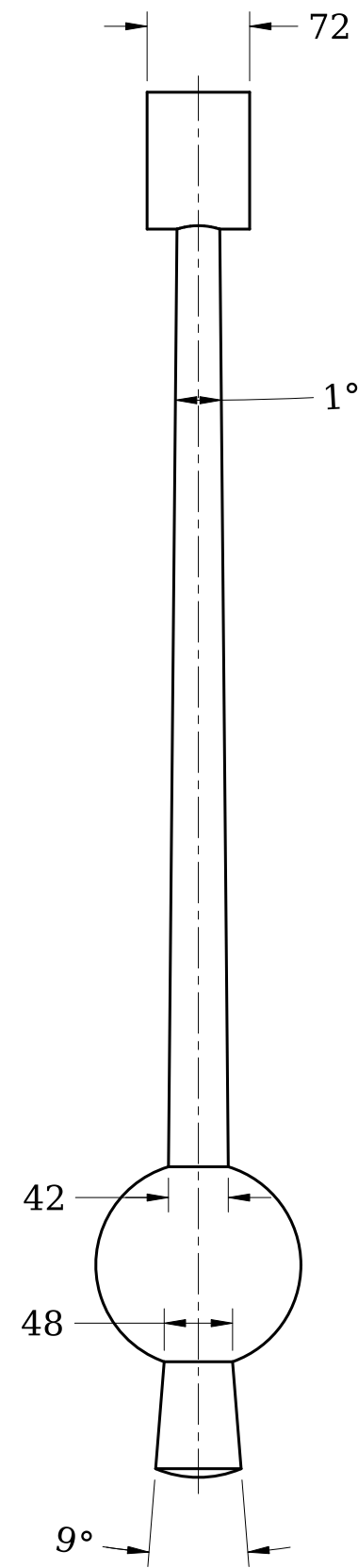
C

B

B

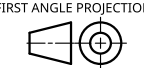
A

A



SCALE 1:2

	NAME	DATE	TITLE	
DRAWN	FLORIAN NIEBL RODRIGO CASTEDO-HERNANDEZ SIMON-HAUKE WICHMANN	08.01.2023	CLAPPER and PIN 1.2m	
	SIZE	DWG NO.	3	REV.
	SCALE	1:5	dimensions in mm	SHEET 3 of 6



4

3

2

1

4

3

2

1

D

D

C

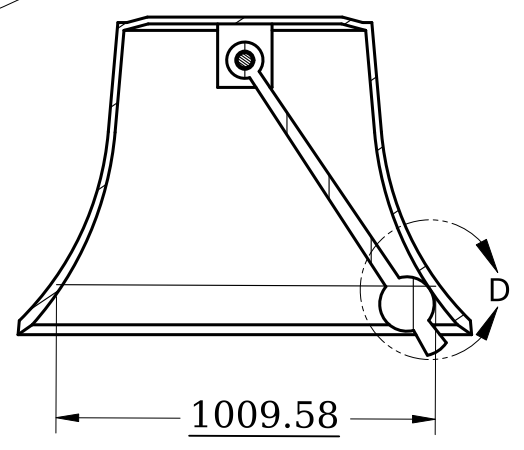
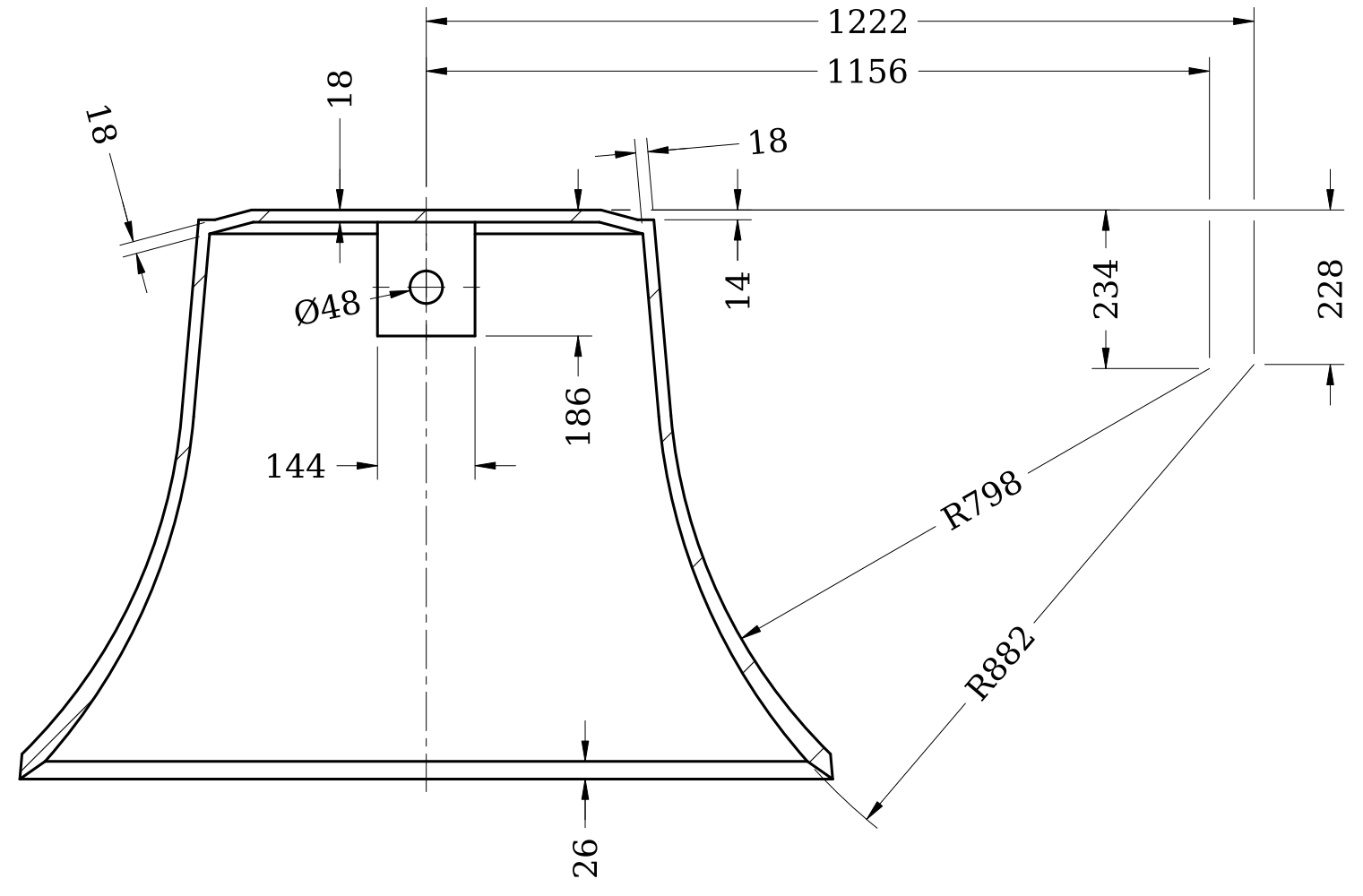
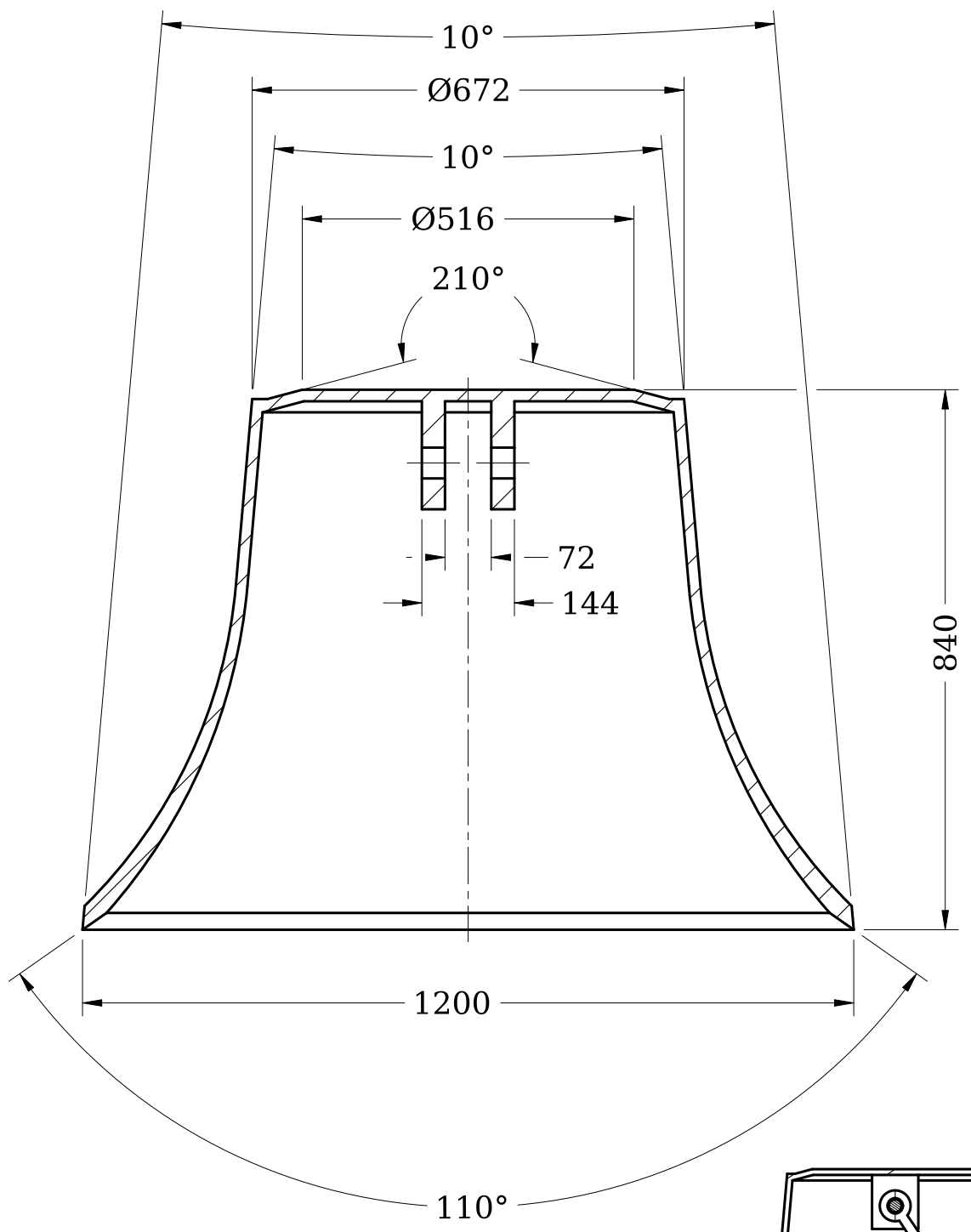
C

B

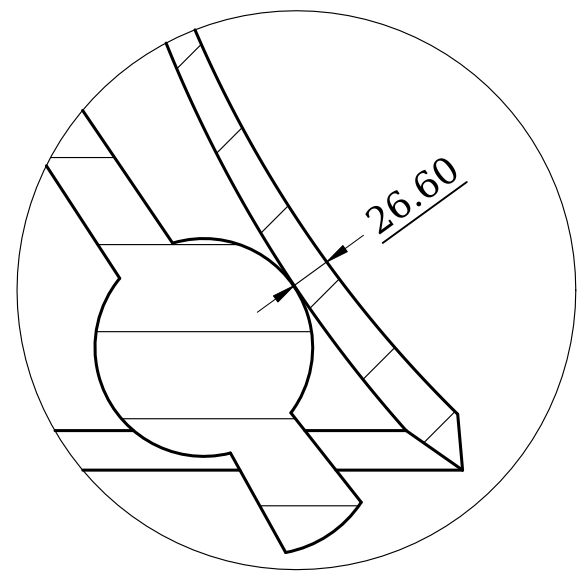
B

A

A



Diameter at the impact point
SCALE 1:20



DETAIL D
Thickness at the impact point

NAME	DATE	TITLE	
FLORIAN NIEBL	08.01.2023	BELL 1.2m	
DRAWN	RODRIGO CASTEDO-HERNANDEZ	SIZE	DWG. NO.
SIMON-HAUKE WICHMANN		A3	4
FIRST ANGLE PROJECTION		SCALE	SHEET
		1:10	4 of 6

4

3

2

1

D

D

C

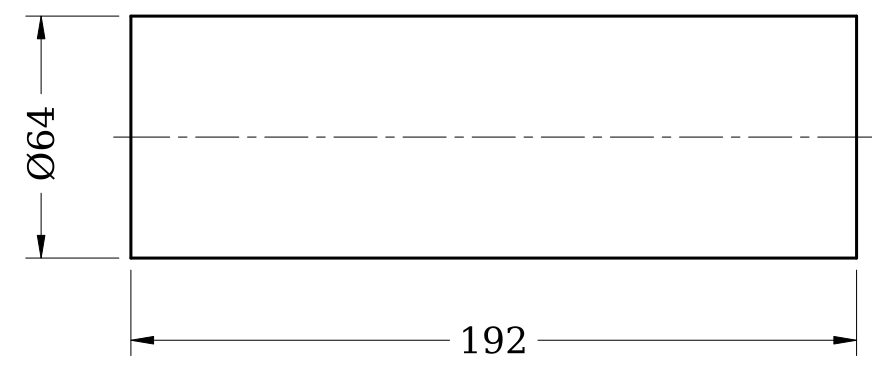
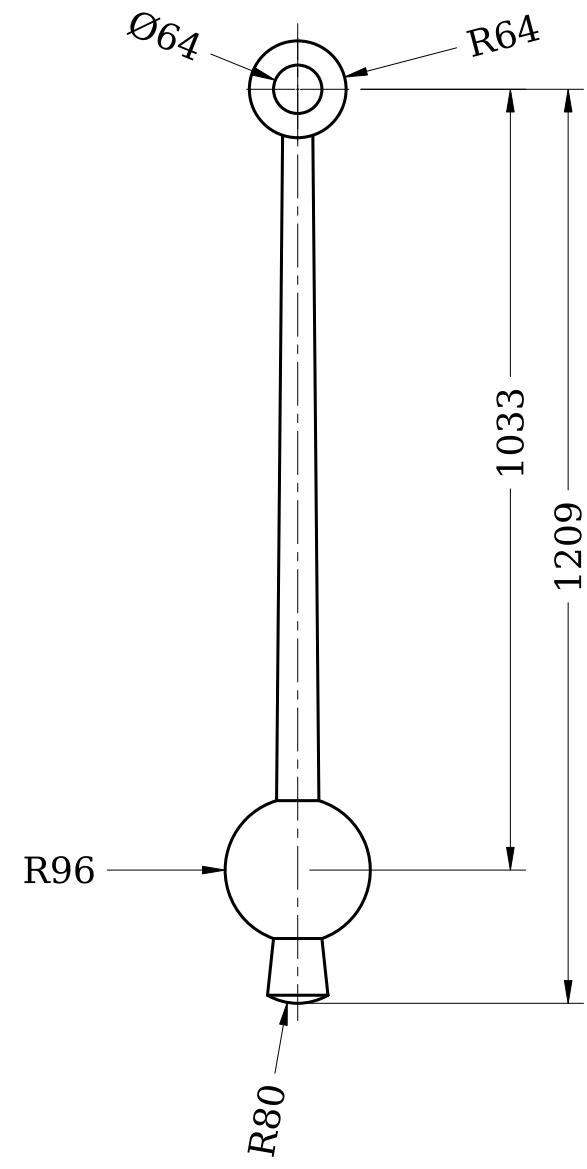
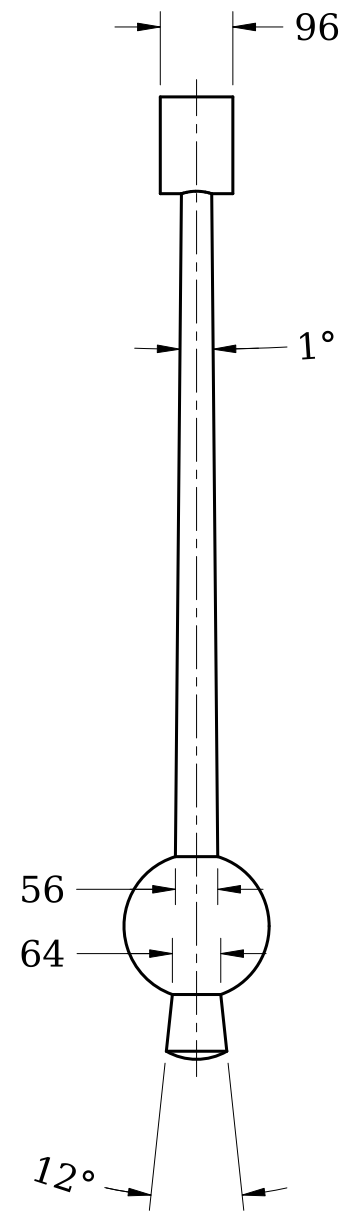
C

B

B

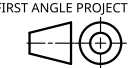
A

A



SCALE 1:2

	NAME	DATE	TITLE	
DRAWN	FLORIAN NIEBL RODRIGO CASTEDO-HERNANDEZ SIMON-HAUKE WICHMANN	08.01.2023	CLAPPER and PIN 1.6m	
	SIZE	DWG NO.	5	REV.
	SCALE	1:10	dimensions in mm	SHEET 5 of 6



4

3

2

1

4

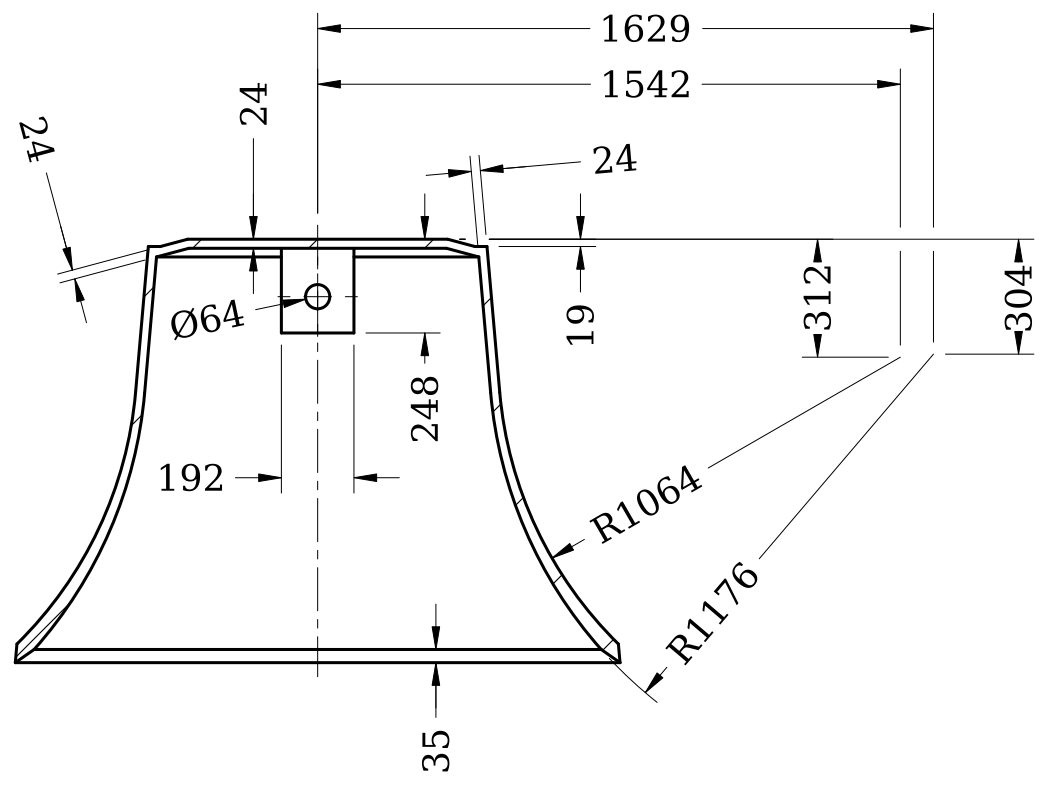
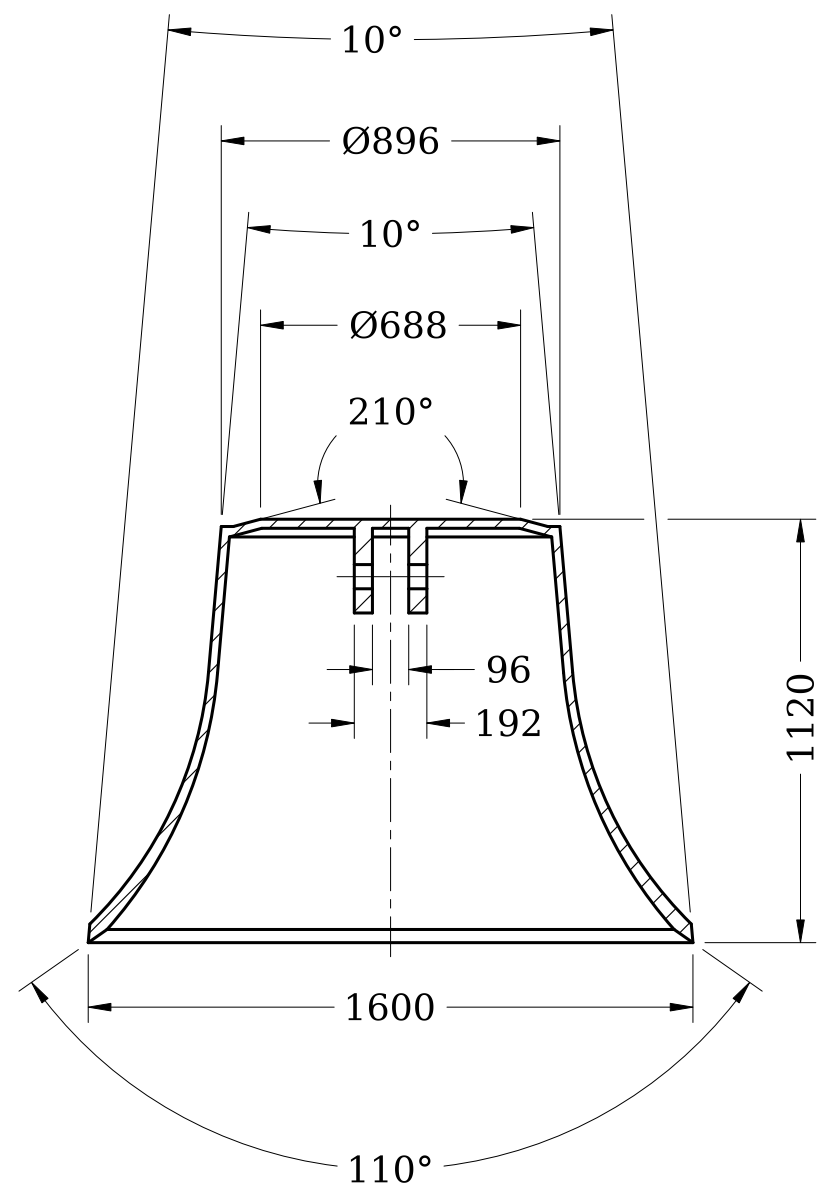
3

2

1

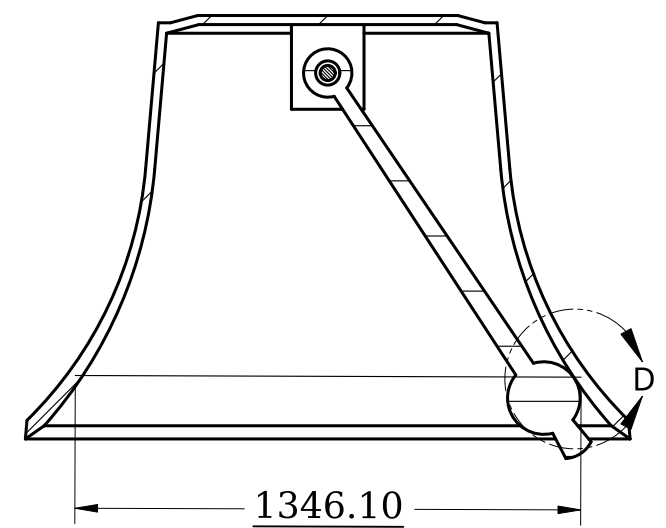
D

D



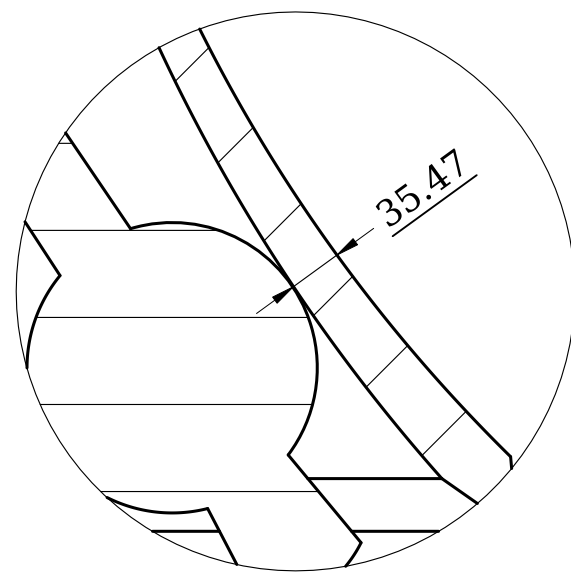
B

B



Diameter at the impact point

SCALE 1:20



DETAIL D
Thickness at the impact point

A

A

	NAME	DATE	TITLE	
	FLORIAN NIEBL	08.01.2023	BELL 1.6m	
DRAWN	RODRIGO CASTEDO-HERNANDEZ		SIZE	DWG NO.
	SIMON-HAUKE WICHMANN		A3	6
FIRST ANGLE PROJECTION			SCALE	SHEET
			1:20	6 of 6

4

3

2

1