

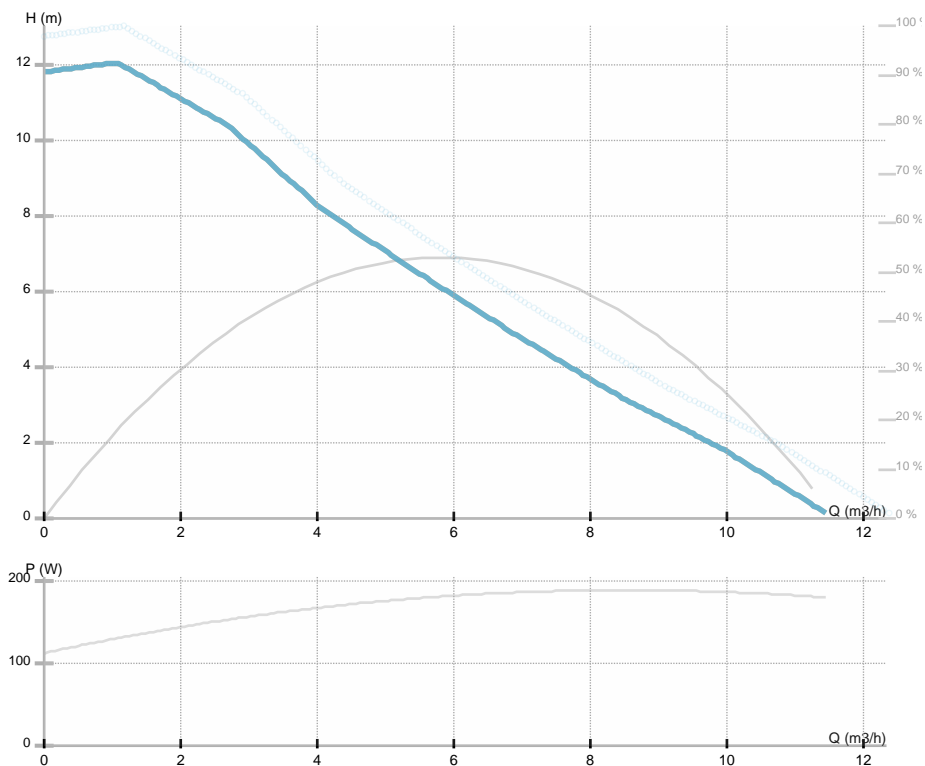
## NMT SMART 25/120-180

979523664

 NMT SMART / Electronically regulated circulating pump  
 Heating/cooling, Klimatizacija

### GENERAL

|             |                             |       |                   |
|-------------|-----------------------------|-------|-------------------|
| Part number | <b>979523664</b>            |       |                   |
| Part name   | <b>NMT SMART 25/120-180</b> |       |                   |
| Seal type   |                             | EEl   | <b>0.2</b>        |
| Net weight  | <b>3.20 [kg]</b>            |       |                   |
| H max       | <b>12.07 [m]</b>            | H min | <b>0.0 [m]</b>    |
| Q max       | <b>10.77 [m3/h]</b>         | Q min | <b>0.0 [m3/h]</b> |
|             | <b>50 [%]</b>               |       |                   |
| Noise       | <b>≤43 dB(A)</b>            |       |                   |



### ELECTRICAL DATA

|                     |                     |
|---------------------|---------------------|
| Power supply        | <b>1~230 V</b>      |
| Mains frequency     | <b>50/60 Hz</b>     |
| Motor power         | <b>180 [w]</b>      |
| RPM                 | <b>4800 [1/min]</b> |
| Insulation class    | <b>F</b>            |
| Declared current    | <b>1.5 [A]</b>      |
| Declared protection | <b>IP44</b>         |
| Thermal protection  | <b>NTC</b>          |
| Frame size          |                     |
| Motor IE class      |                     |

### INSTALLATION

|                    |                                   |
|--------------------|-----------------------------------|
| Fluid              | <b>Water VDI 2035, glycol 40%</b> |
| Fluid temperature  | <b>-10.0 ÷ 110.0 [°C]</b>         |
| Ambient temp.range | <b>40 deg C</b>                   |
| Length             | <b>180 [mm]</b>                   |
| DN                 | <b>25 [mm]</b>                    |
| Connector          | <b>G 1 ½</b>                      |
| Connection         | <b>G 1 ½</b>                      |
| Max pressure       | <b>1.0 MPa</b>                    |

### MATERIAL

|                     |                       |
|---------------------|-----------------------|
| Bearing material    | <b>Graphite</b>       |
| Impeller material   | <b>PES GF 30</b>      |
| Hydraulics material | <b>Gray cast iron</b> |
| Shaft material      | <b>AISI 420</b>       |

## **NMT SMART 25/120-180**

979523664

NMT SMART / Electronically regulated circulating pump

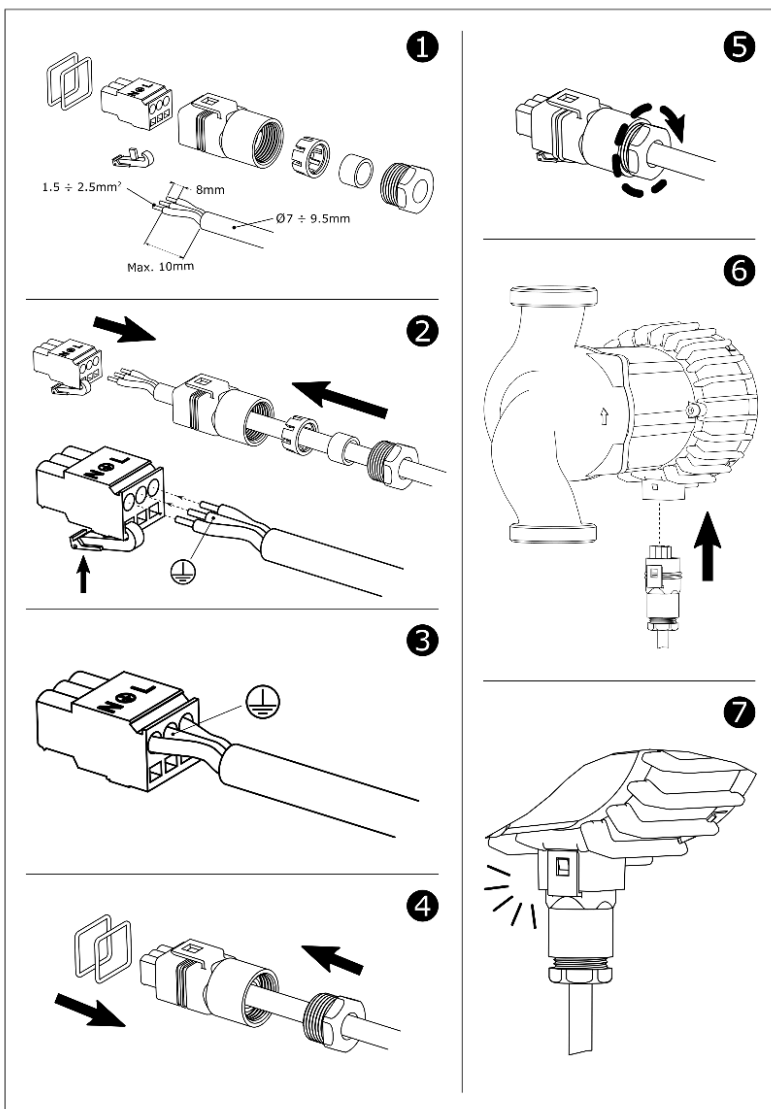
Heating/cooling, Klimatizacija

## NMT SMART 25/120-180

979523664

NMT SMART / Electronically regulated circulating pump  
Heating/cooling, Klimatizacija

### Electrical wiring

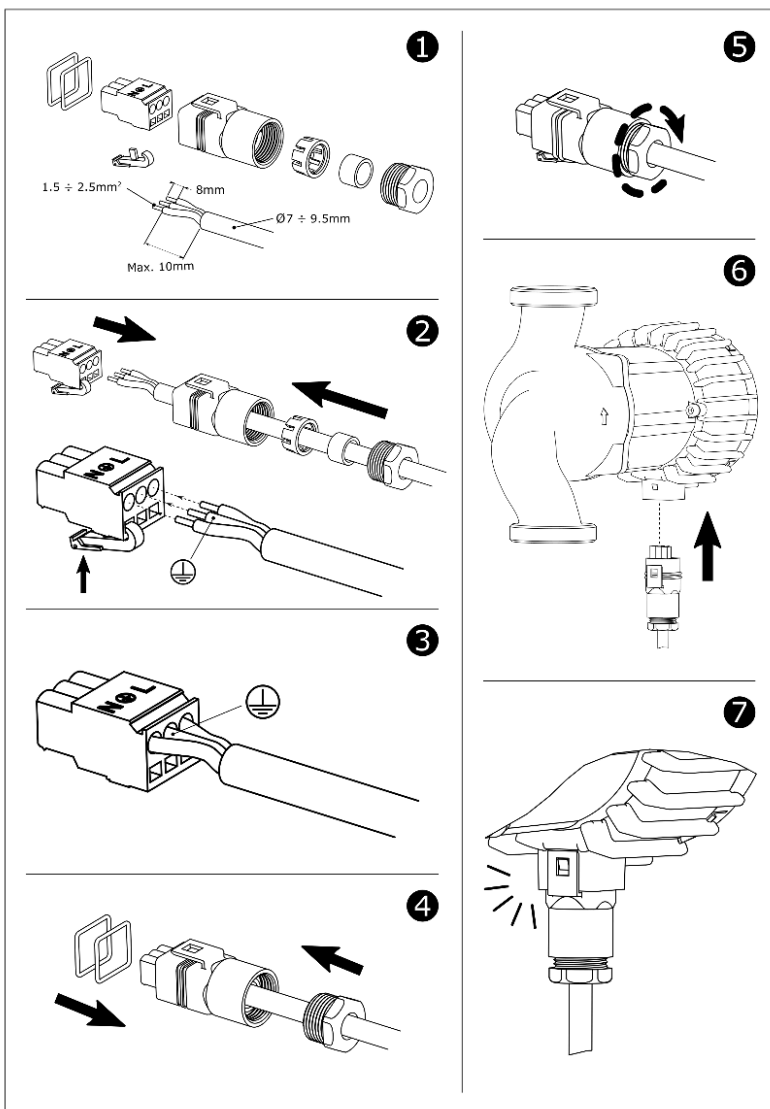


## NMT SMART 25/120-180

979523664

NMT SMART / Electronically regulated circulating pump  
Heating/cooling, Klimatizacija

### Electrical wiring



**NMT SMART 25/120-180**

979523664

NMT SMART / Electronically regulated circulating pump

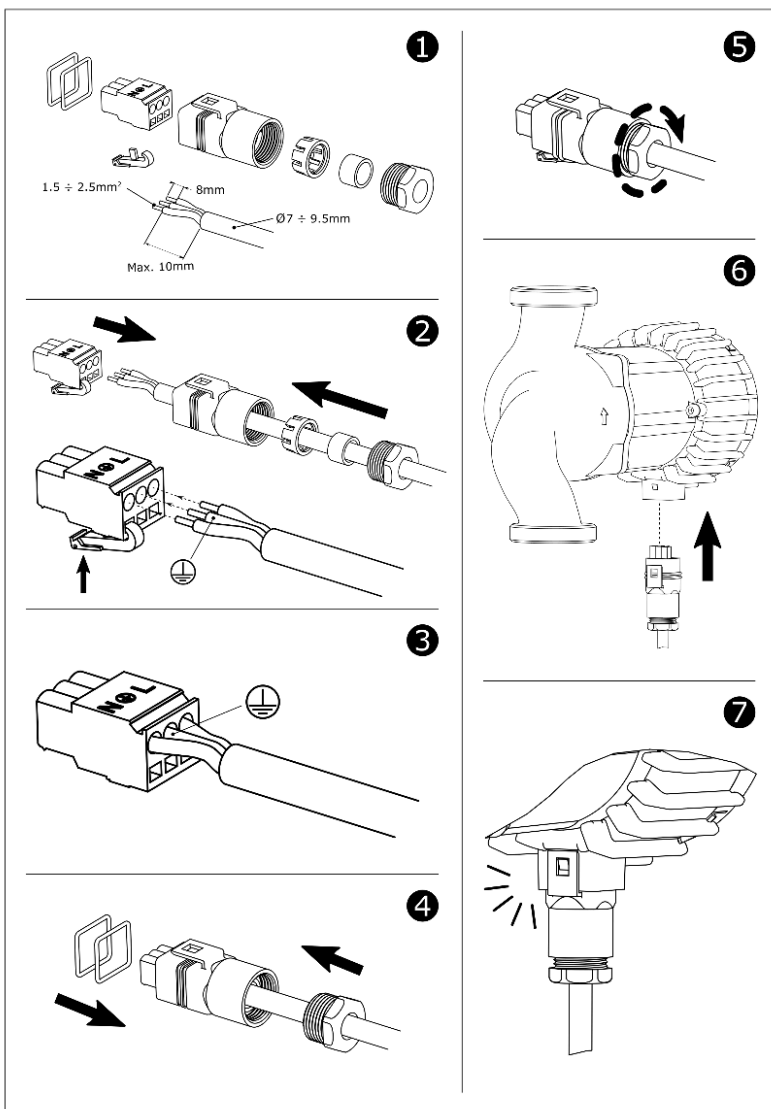
Heating/cooling, Klimatizacija

## NMT SMART 25/120-180

979523664

NMT SMART / Electronically regulated circulating pump  
Heating/cooling, Klimatizacija

### Electrical wiring

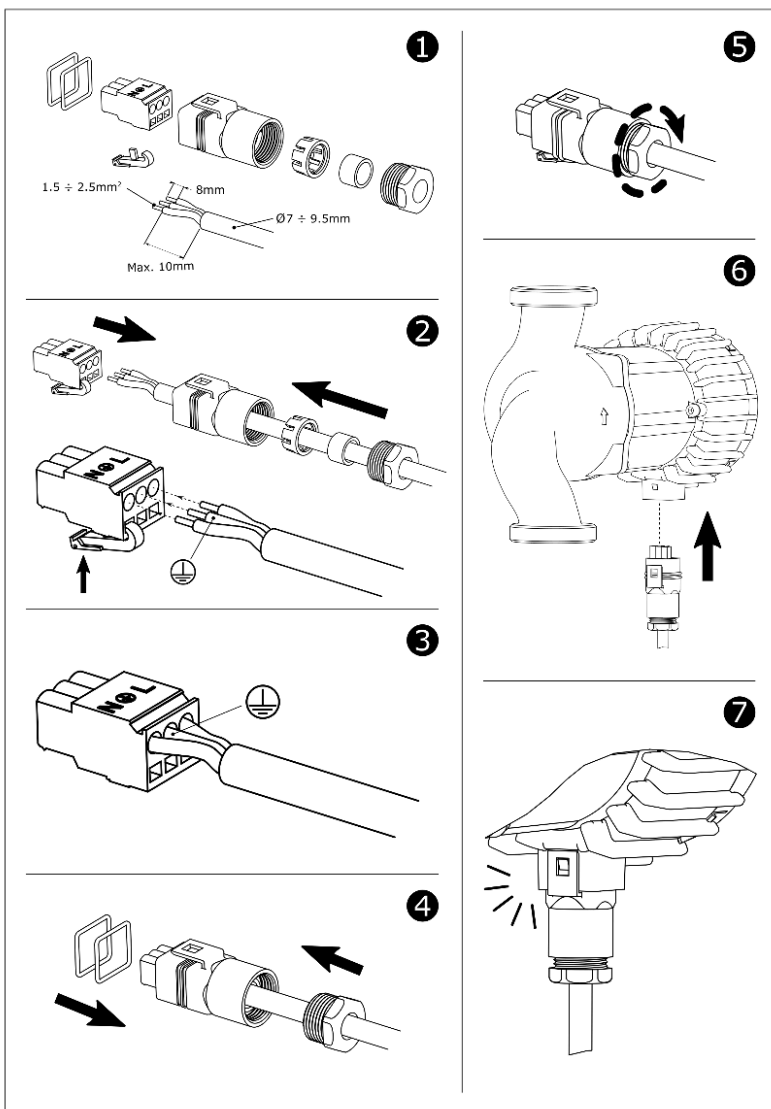


## NMT SMART 25/120-180

979523664

NMT SMART / Electronically regulated circulating pump  
Heating/cooling, Klimatizacija

### Electrical wiring



## **NMT SMART 25/120-180**

979523664

NMT SMART / Electronically regulated circulating pump

Heating/cooling, Klimatizacija