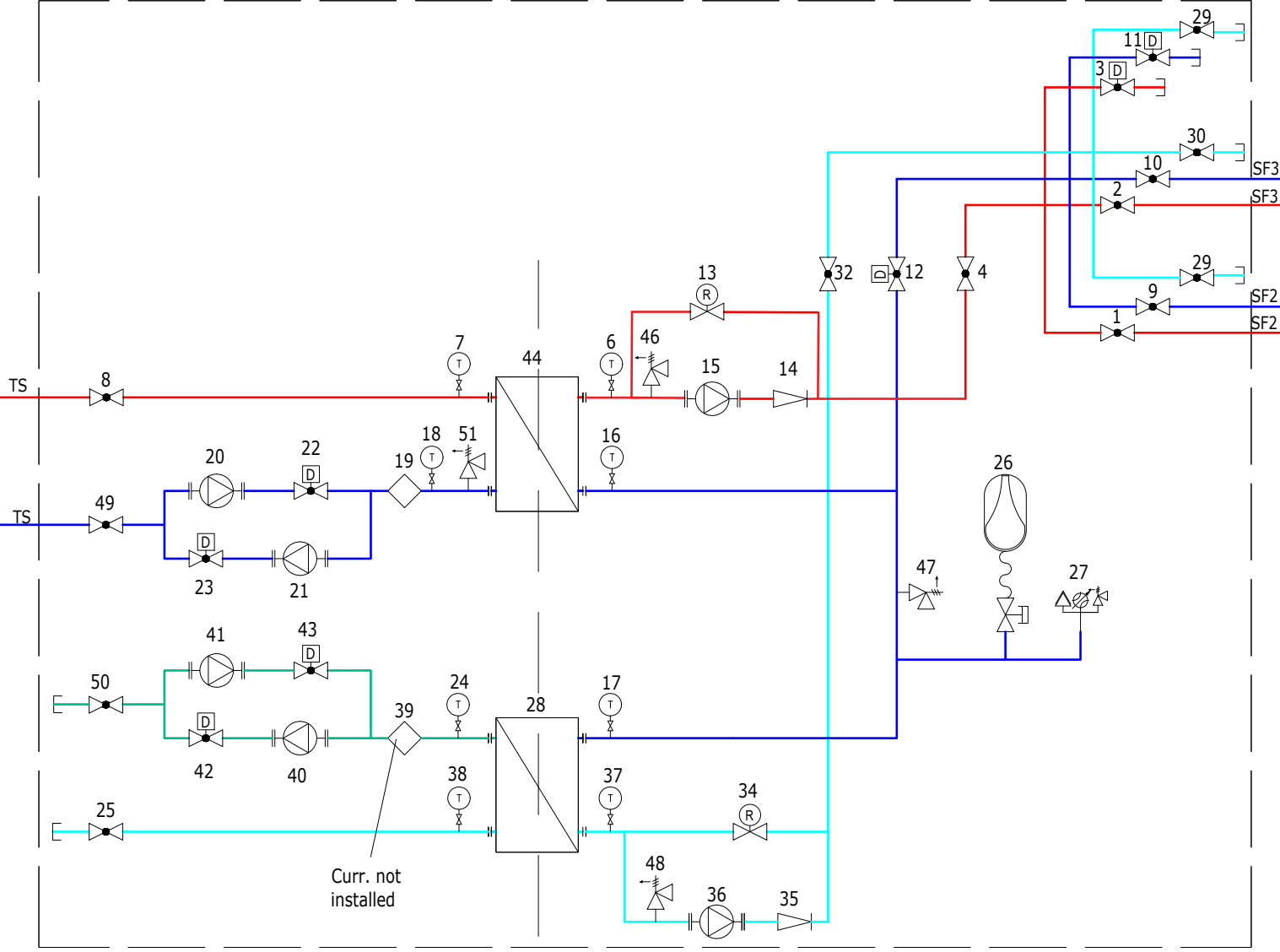


CONNECTOR HEAT NETWORK (CHN)



Prosumer side (secondary side)

Network side (primary side)

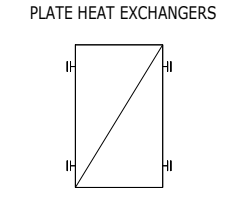
Curr. not installed

- LINES**
- HEATING FLOW
 - HEATING RETURN
 - COOLING FLOW
 - COOLING RETURN
 - GAS PIPE
 - WATER MAINS
 - REFRIGERANT
 - CONTROL LINE
 - BOUNDARY LINE
 - FLUE/EXHAUST LINE

- SENSORS**
- TEMPERATURE SENSOR
 - PRESSURE SENSOR

- METERS**
- GAS METER
 - POWER METER
 - FLOW METER

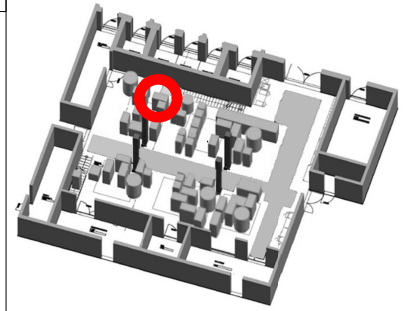
- PUMPS & COMPRESSORS**
- PUMP
 - COMPRESSOR



- VALVES**
- HAND VALVE
 - DIGITAL AUTOMATED VALVE
 - REGULATING VALVE
 - NON RETURN VALVE (Flow direction as per arrow)
 - SOLENOID VALVE
 - 3-PORT MIXING VALVE
 - 4-PORT MIXING VALVE
 - PRESSURE REDUCER VALVE
 - PRESSURE RELIEF VALVE
 - NEEDLE VALVE
 - SAFETY GROUP
 - STEAM HUMIDIFIER

- OTHER EQUIPMENT**
- PIPE FOR FUTURE EXPANSION
 - EXPANSION VESSEL
 - AIR/GAS SEPARATOR
 - WATER FILTER
 - HEATING COIL
 - COOLING COIL

LOCATION



CoSES LAB: SF1 CONNECTOR HEAT NETWORK

DATE 20/12/23

CREATED BY LORENZ LUKAS