

CoSES_SF1

Single family house 1 (SF1)

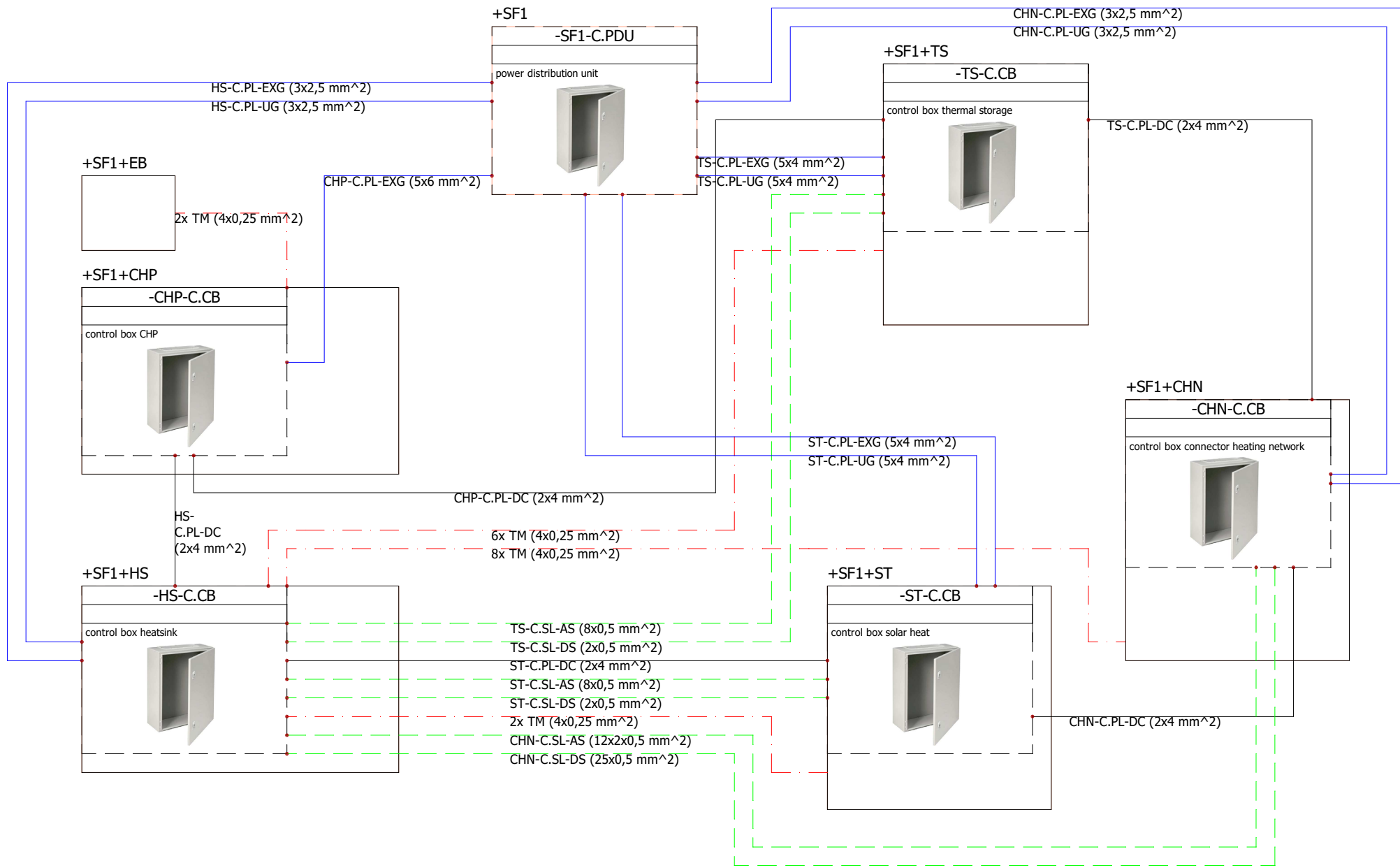
REV.	DATE	NAME	CHANGES	REVISION	SCHEME
0	17.07.2019	Christian Huber		0	
Technische Universität München					
Lichtenbergstr. 4a					
85748 Garching			CONTRACT :	User data 1	01
				User data 2	

1-Single family house 1 (SF1)

Blatt	Funktion	Montageort	Revision	Datum	Erstellt von	Beschreibung	Ordnerbezeichnung
01	=F1	+SF1	0	17.07.2019	Christian Huber	Deckblatt	
02	=F1	+SF1	0	17.07.2019	Christian Huber	Blätterliste	
03	=F1	+SF1	0	17.07.2019	Christian Huber	Verkabelungsplan	
04	=F1	+SF1+ST	0	17.07.2019	Christian Huber	ST	
05	=F1	+SF1+TS	0	19.07.2019	Christian Huber	TS	
06	=F1	+SF1+CHN	0	22.07.2019	Christian Huber	CHN_Page1	
07	=F1	+SF1+CHN	0	22.07.2019	Christian Huber	CHN_Page2	
08	=F1	+SF1+CHN	0	22.07.2019	Christian Huber	CHN_Page3	
09	=F1	+SF1+CHP	0	22.07.2019	Christian Huber	CHP_EB_Page1	
10	=F1	+SF1+CHP	0	23.07.2019	Christian Huber	CHP_EB_Page2	
11	=F1	+SF1+HS	0	24.07.2019	Christian Huber	HS_Page1	
12	=F1	+SF1+HS	0	26.07.2019	Christian Huber	HS_Page2	
13	=F1	+SF1+HS	0	29.07.2019	Christian Huber	HS_Page3	
14	=F1	+SF1+HS	0	29.07.2019	Christian Huber	HS_Page4	
15	=F1	+SF1+HS	0	29.07.2019	Christian Huber	HS_Page5	

Single family house 1 (SF1)

CONTRACT:	LOCATION: +SF1					REVISION
						0
		0	17.07.2019	Christian Huber		SCHEME
		REV.	DATE	NAME	CHANGES	02
		User data 1			User data 2	

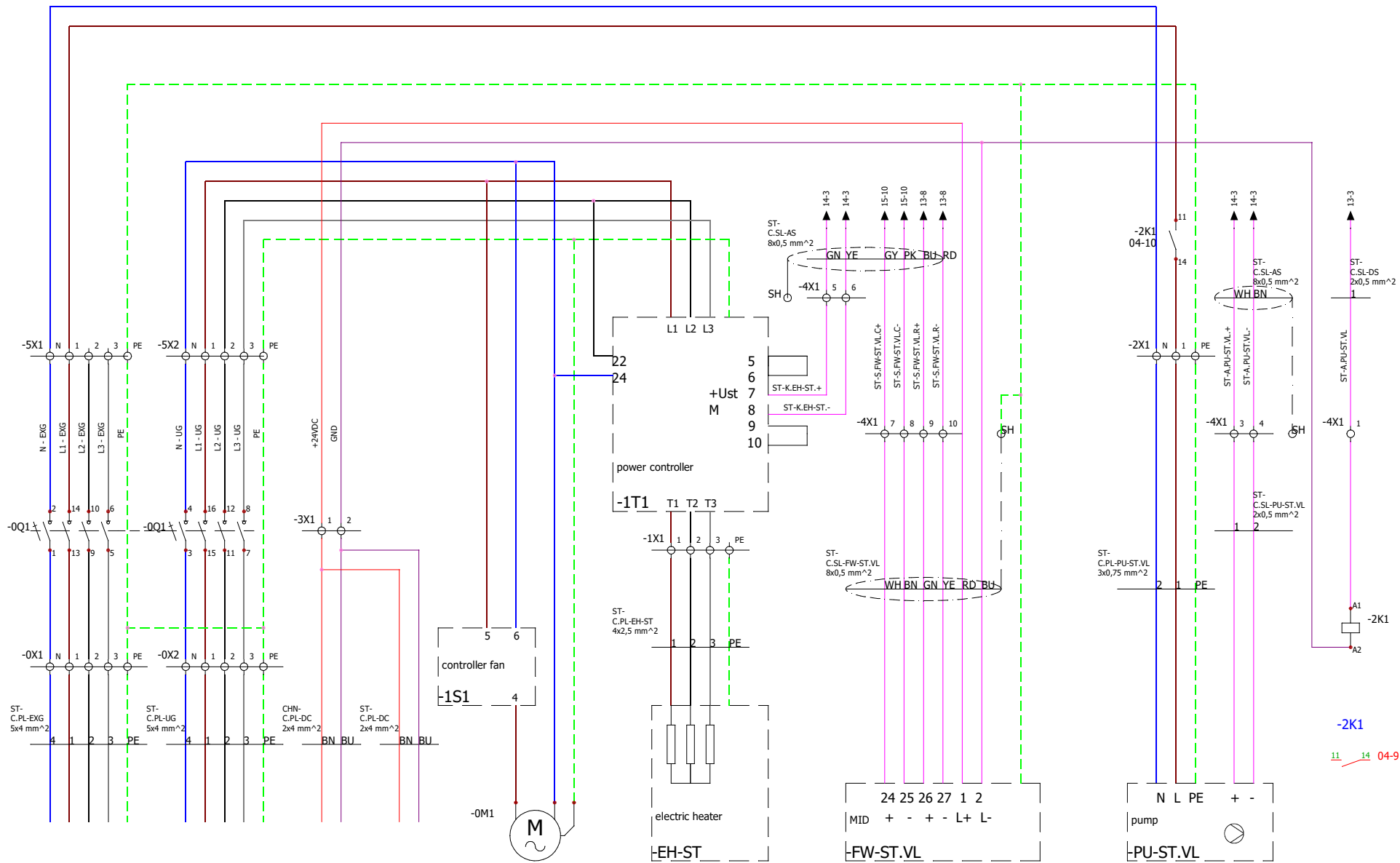


Single family house 1 (SF1)
cabling plan

CONTRACT:

LOCATION: +SF1

				REVISION
				0
0	17.07.2019	Christian Huber		
REV.	DATE	NAME	CHANGES	SCHEME
			User data 1	03
			User data 2	



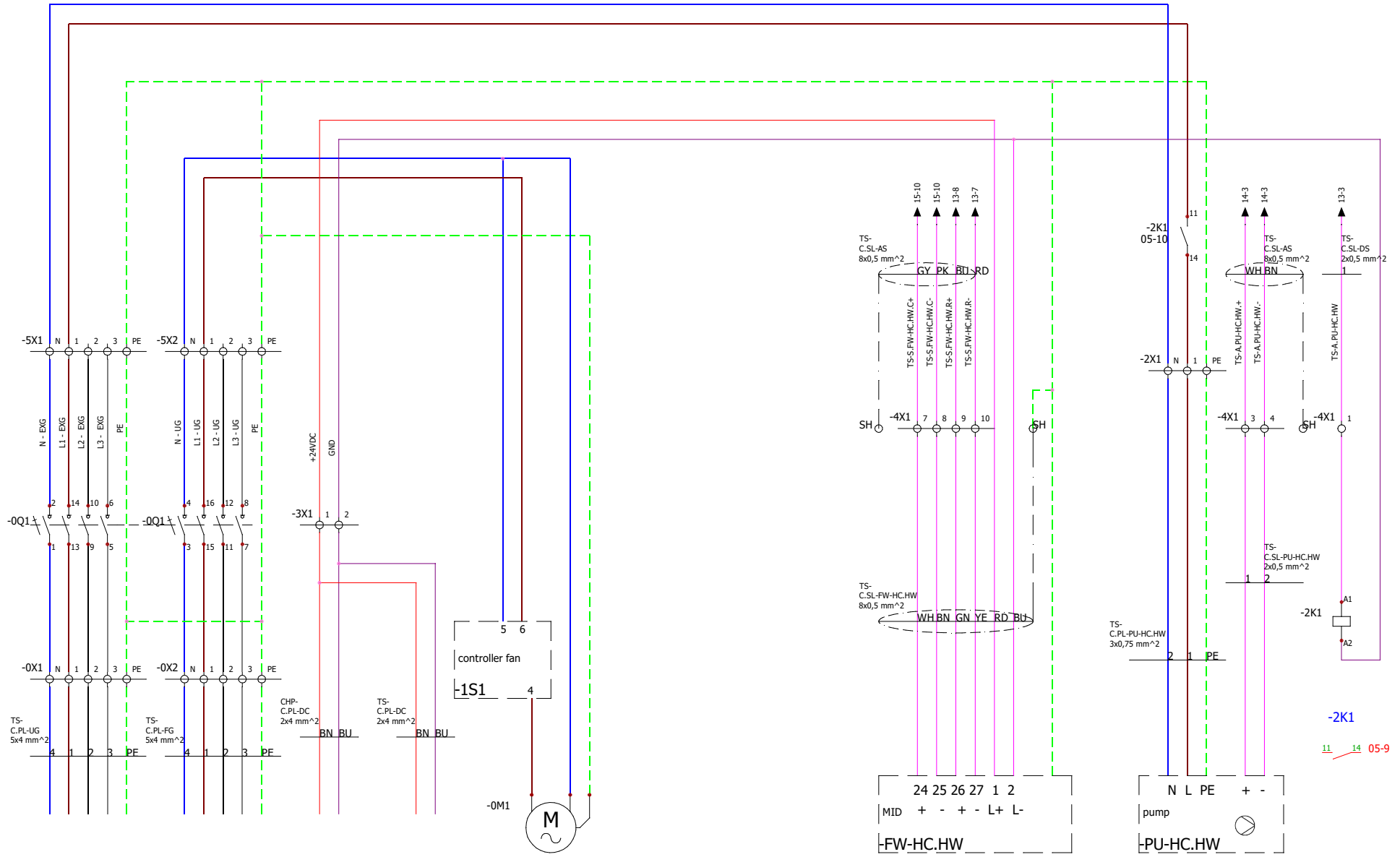
Single family house 1 (SF1)

solar heat

CONTRACT:

LOCATION: +SF1+ST

				REVISION
				0
0	17.07.2019	Christian Huber		
REV.	DATE	NAME	CHANGES	SCHEME
				04
User data 1			User data 2	

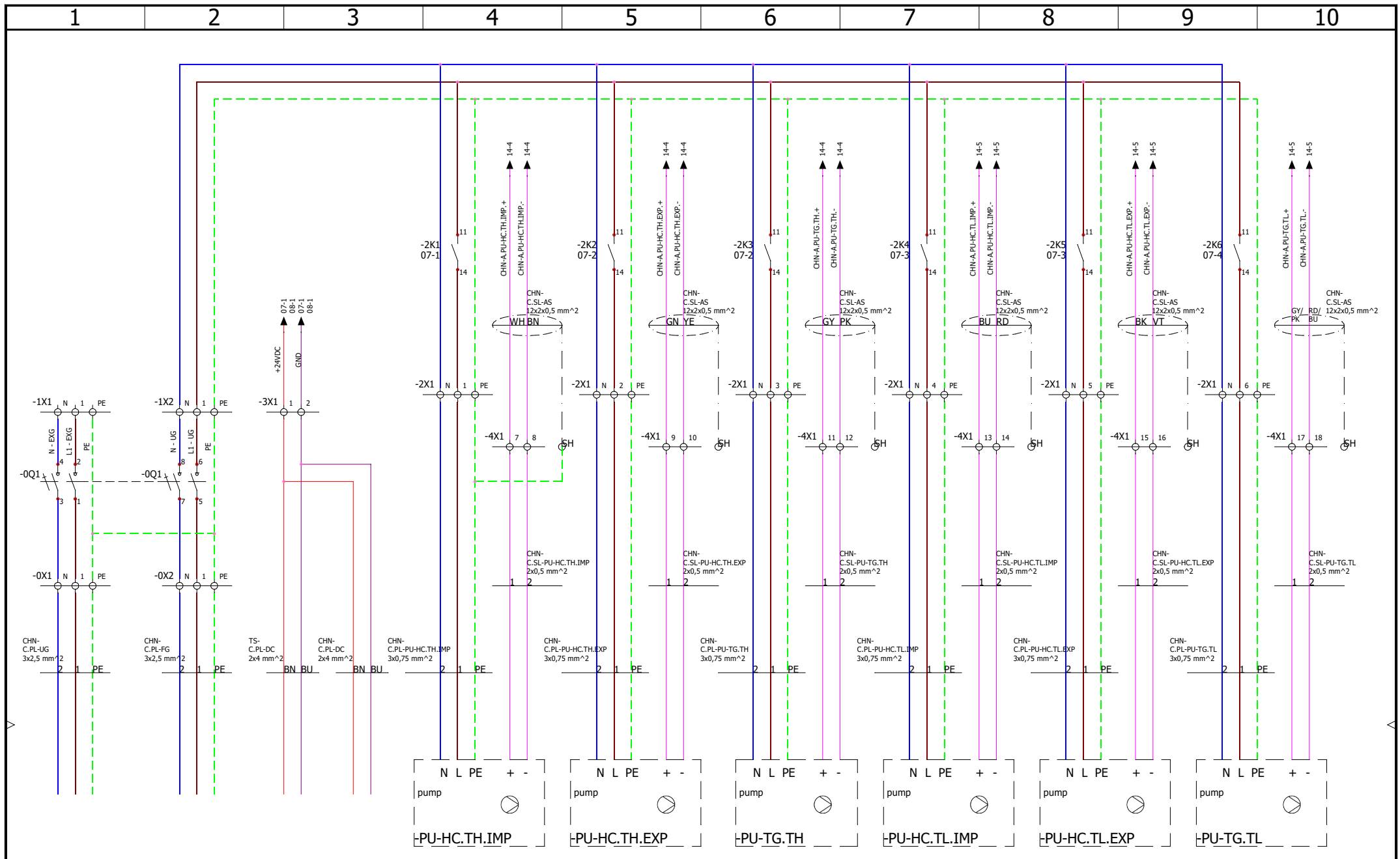


Single family house 1 (SF1)
thermal storage

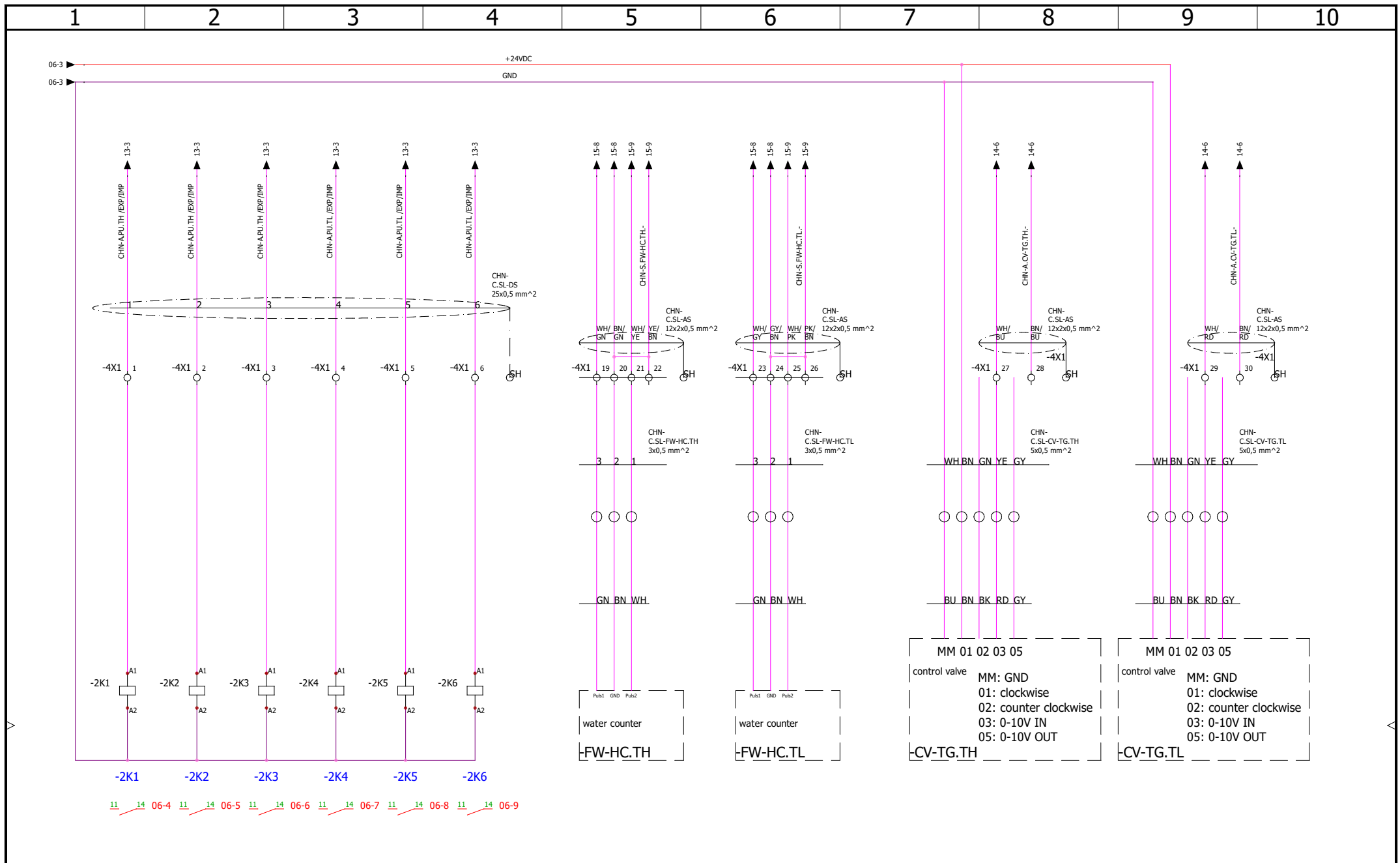
CONTRACT:

LOCATION: +SF1+TS

				REVISION
				0
0	19.07.2019	Christian Huber		
REV.	DATE	NAME	CHANGES	SCHEME
				05
User data 1			User data 2	

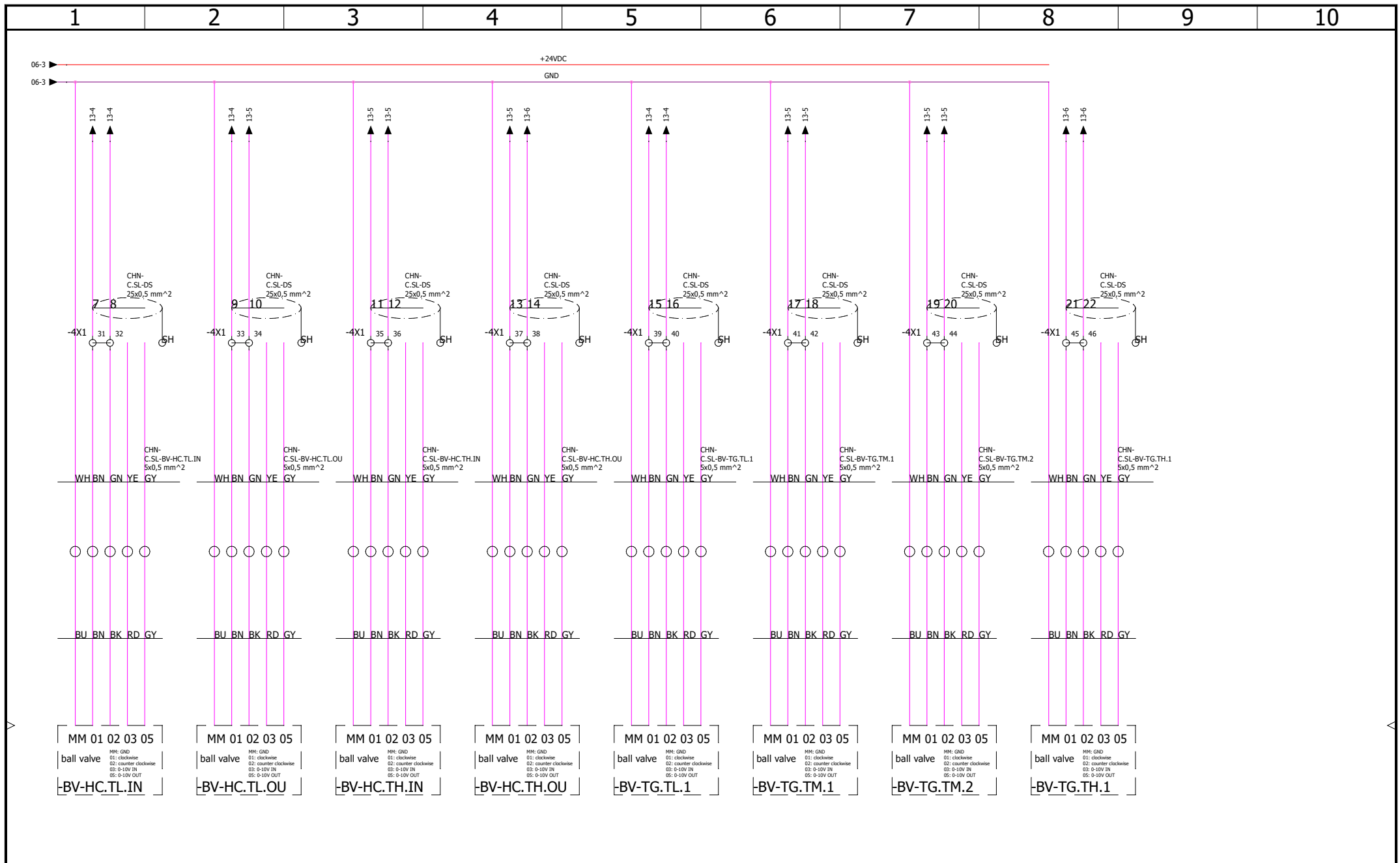


		Single family house 1 (SF1)			REVISION
		connector heating network			0
CONTRACT:	LOCATION:	+SF1+CHN	REV.	DATE	NAME
			0	22.07.2019	Christian Huber
					CHANGES
			User data 1		User data 2
					SCHEME
					06

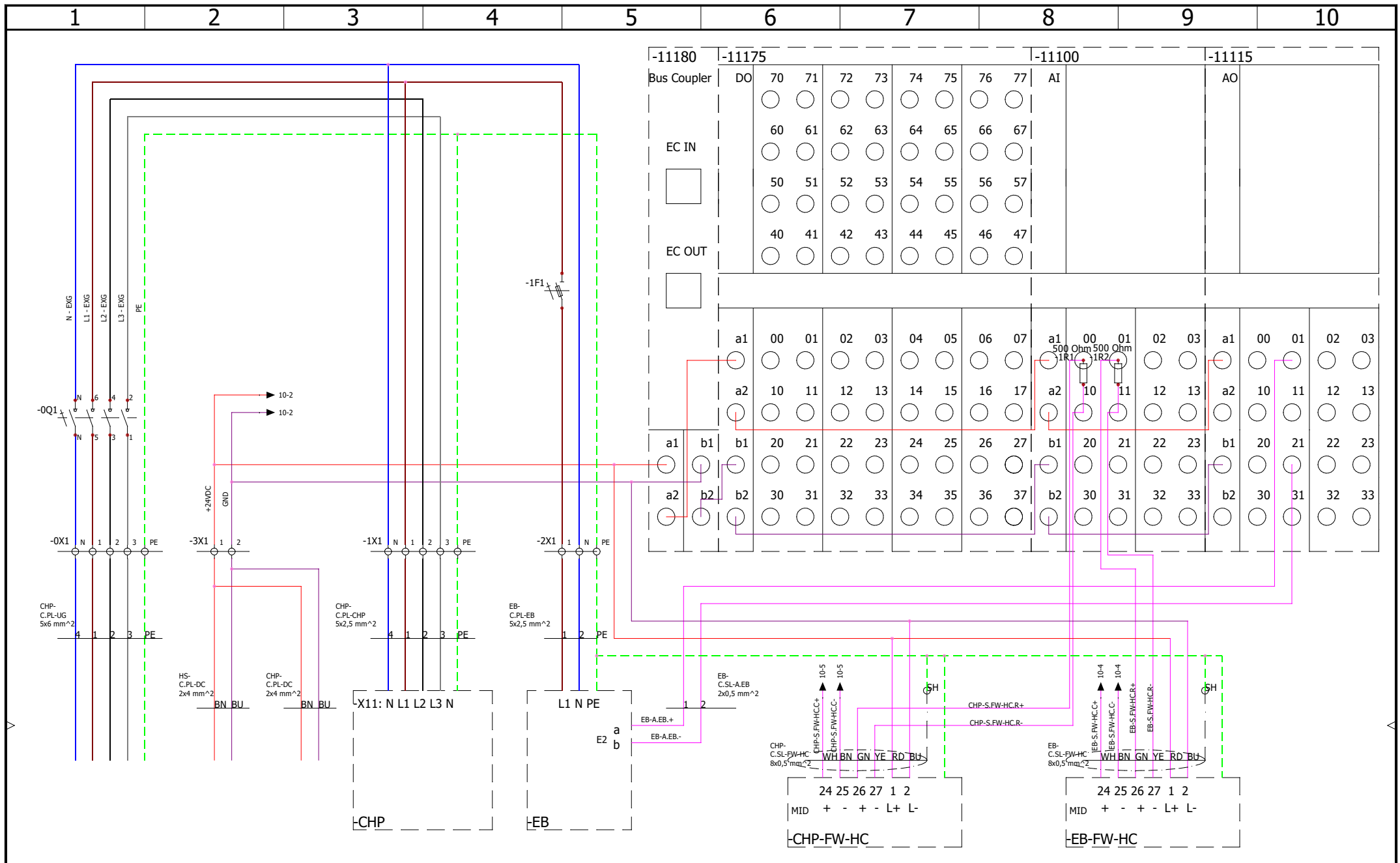


11 14 06-4 11 14 06-5 11 14 06-6 11 14 06-7 11 14 06-8 11 14 06-9

<h2>Single family house 1 (SF1)</h2> <h3>connector heating network</h3>		REVISION		
		0		
CONTRACT:		LOCATION: +SF1+CHN		SCHEME
		+SF1+CHN		07
	0	22.07.2019	Christian Huber	
REV.	DATE	NAME	CHANGES	
User data 1			User data 2	



<p>CONTRACT:</p>		<p>LOCATION: +SF1+CHN</p>		<p>Single family house 1 (SF1) connector heating network</p>			<p>REVISION</p> <p>0</p>
							<p>SCHEME</p> <p>08</p>
<p>0</p>		<p>22.07.2019</p>	<p>Christian Huber</p>	<p>CHANGES</p>			<p>User data 1</p>
<p>REV.</p>	<p>DATE</p>	<p>NAME</p>	<p>CHANGES</p>			<p>User data 2</p>	



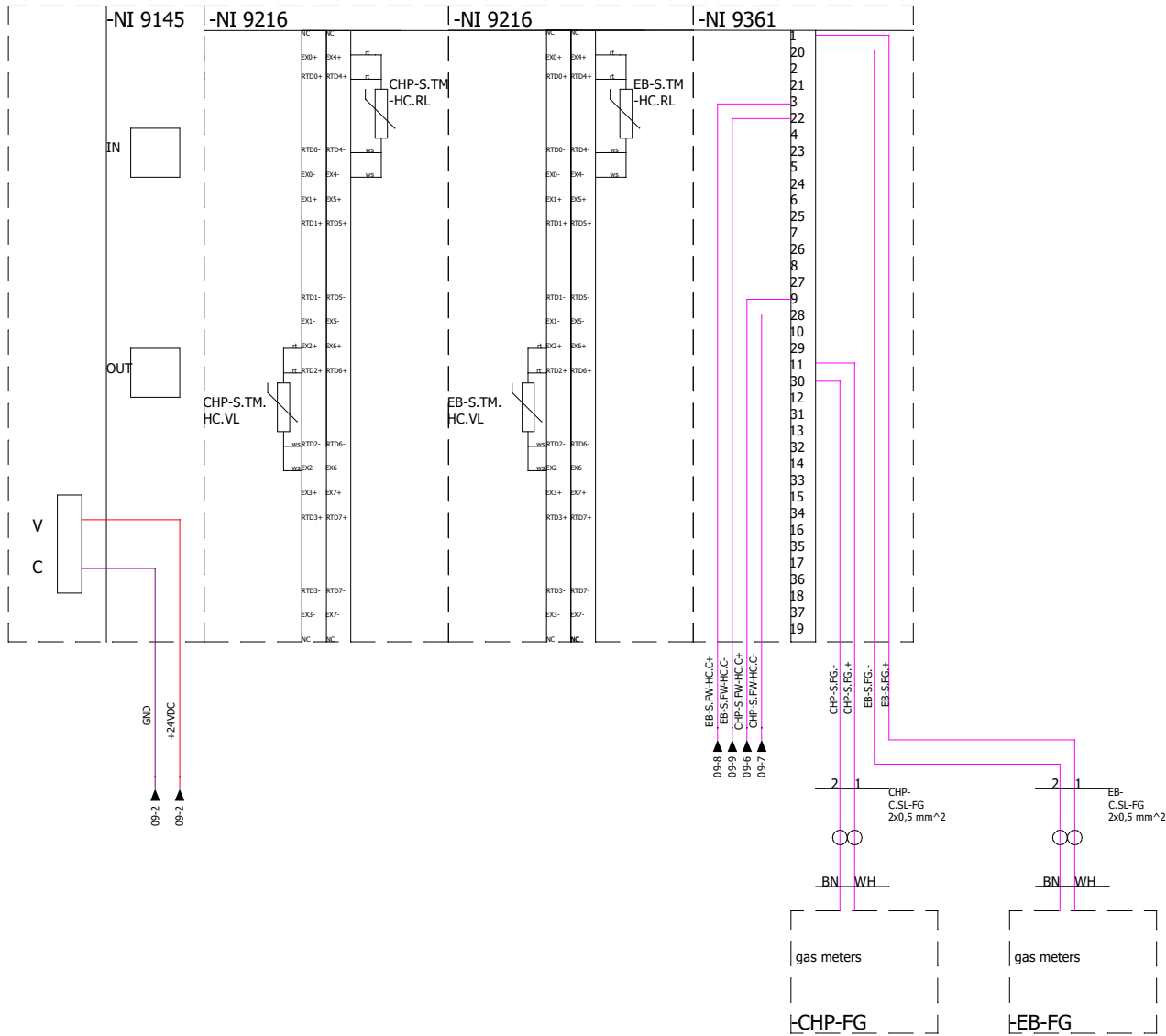
Single family house 1 (SF1)

CHP unit / boiler

CONTRACT:

LOCATION: +SF1+CHP

				REVISION
				0
0	22.07.2019	Christian Huber		
REV.	DATE	NAME	CHANGES	SCHEME
User data 1			User data 2	09



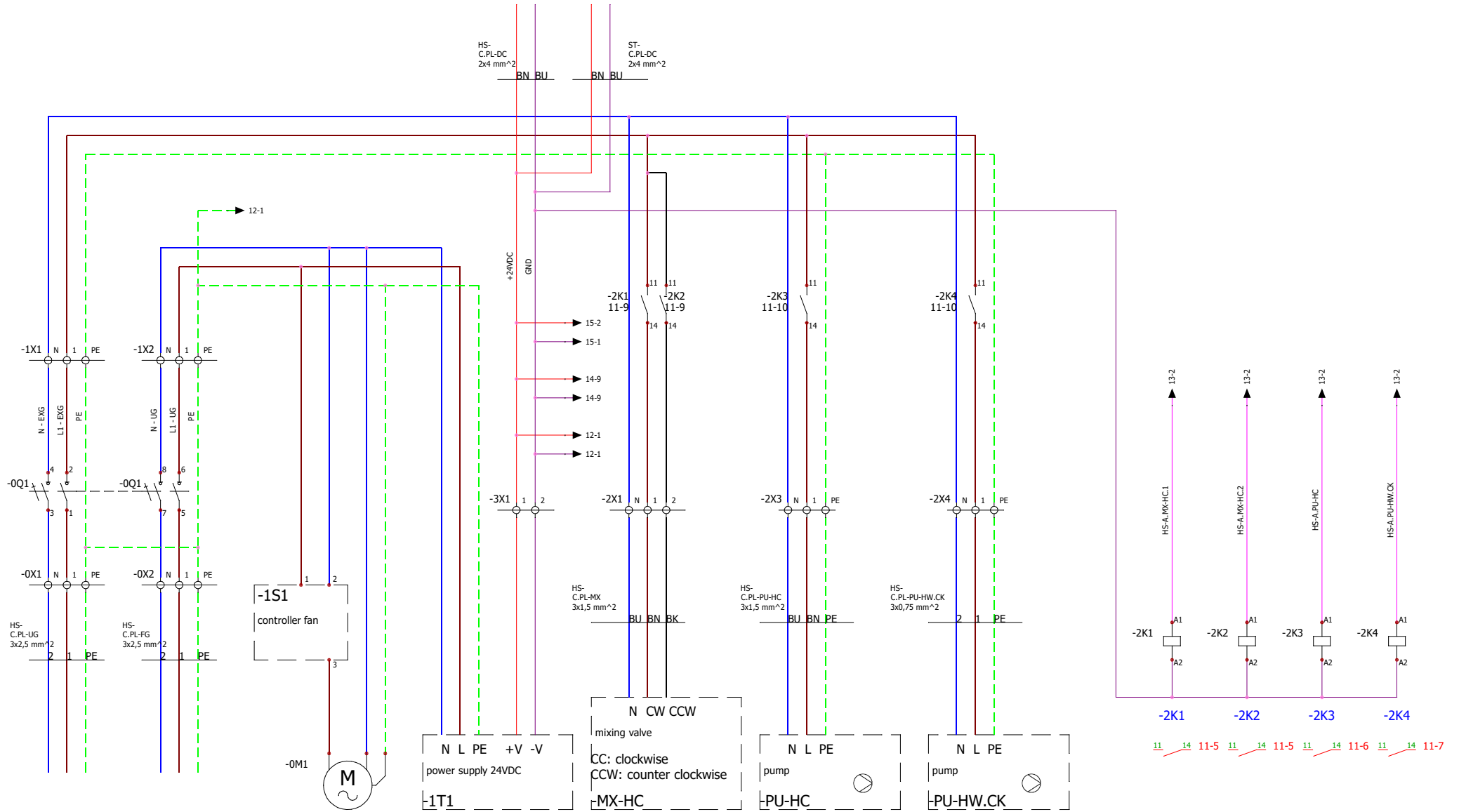
Single family house 1 (SF1)

CHP unit / boiler

CONTRACT:

LOCATION: +SF1+CHP

				REVISION
				0
0	23.07.2019	Christian Huber		SCHEME
REV.	DATE	NAME	CHANGES	
User data 1			User data 2	10

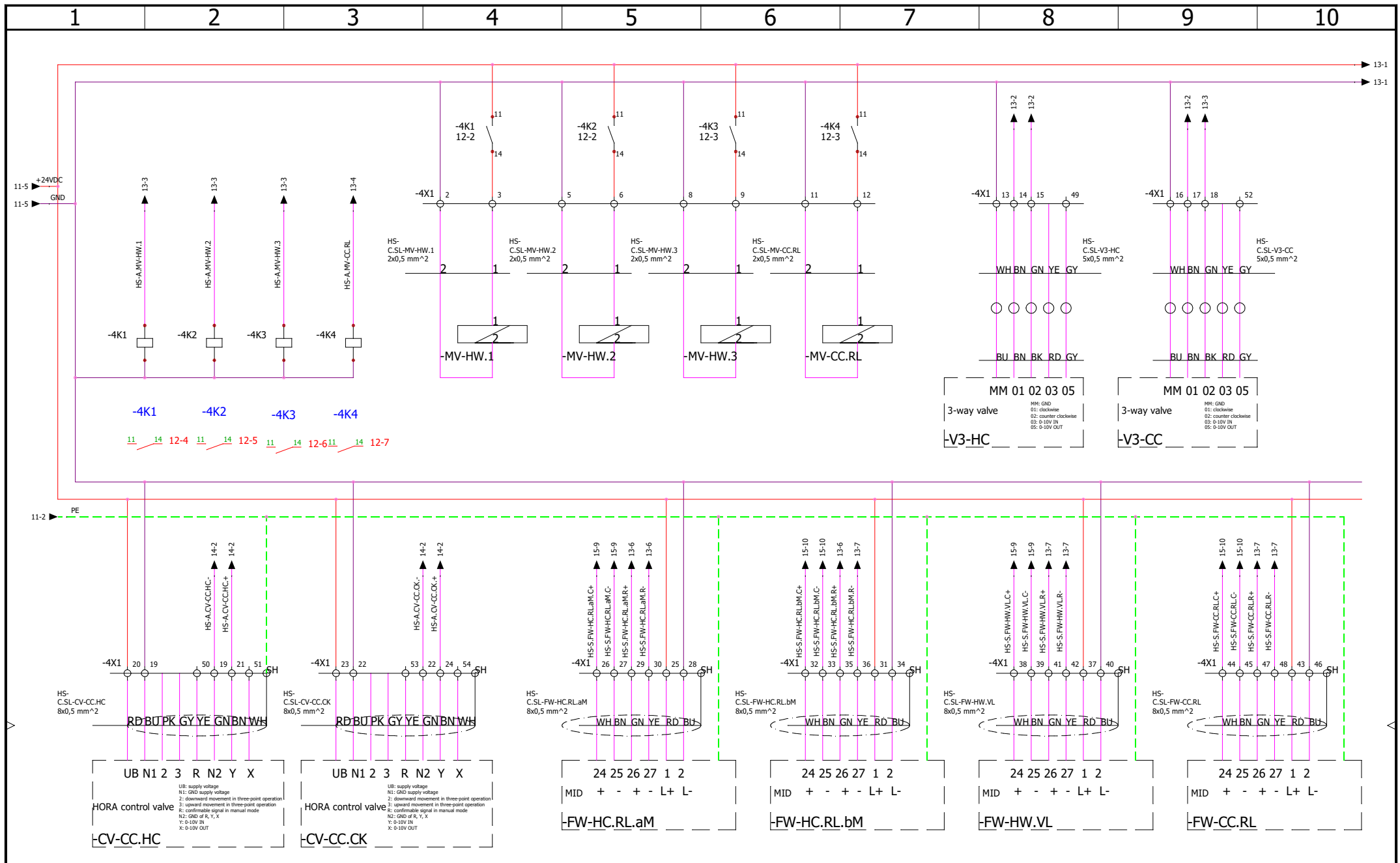


Single family house 1 (SF1)
heatsink

CONTRACT:

LOCATION: +SF1+HS

				REVISION
				0
0	24.07.2019	Christian Huber		
REV.	DATE	NAME	CHANGES	
User data 1			User data 2	
				SCHEME
				11



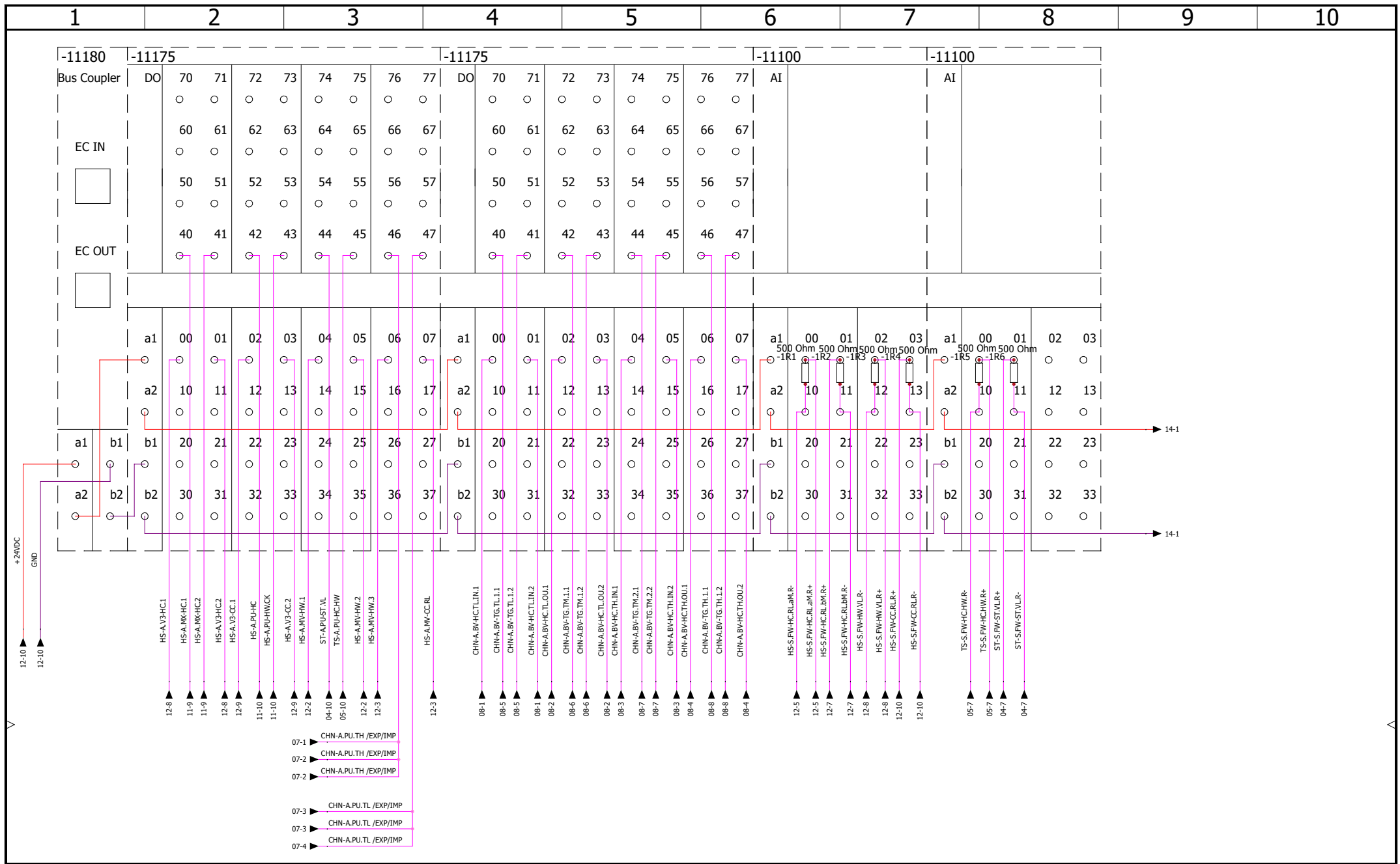
Single family house 1 (SF1)

heatsink

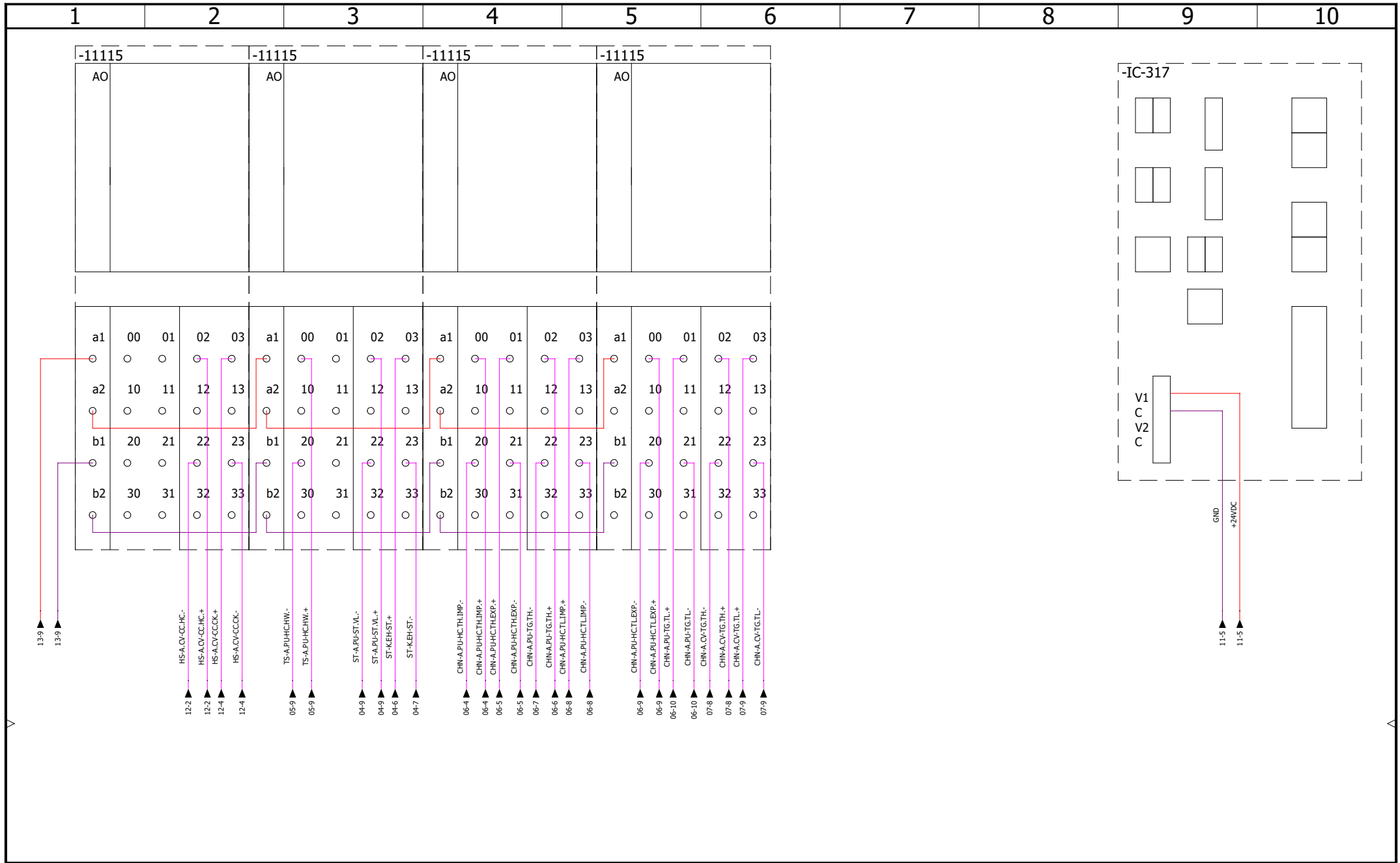
CONTRACT:

LOCATION: **+SF1+HS**

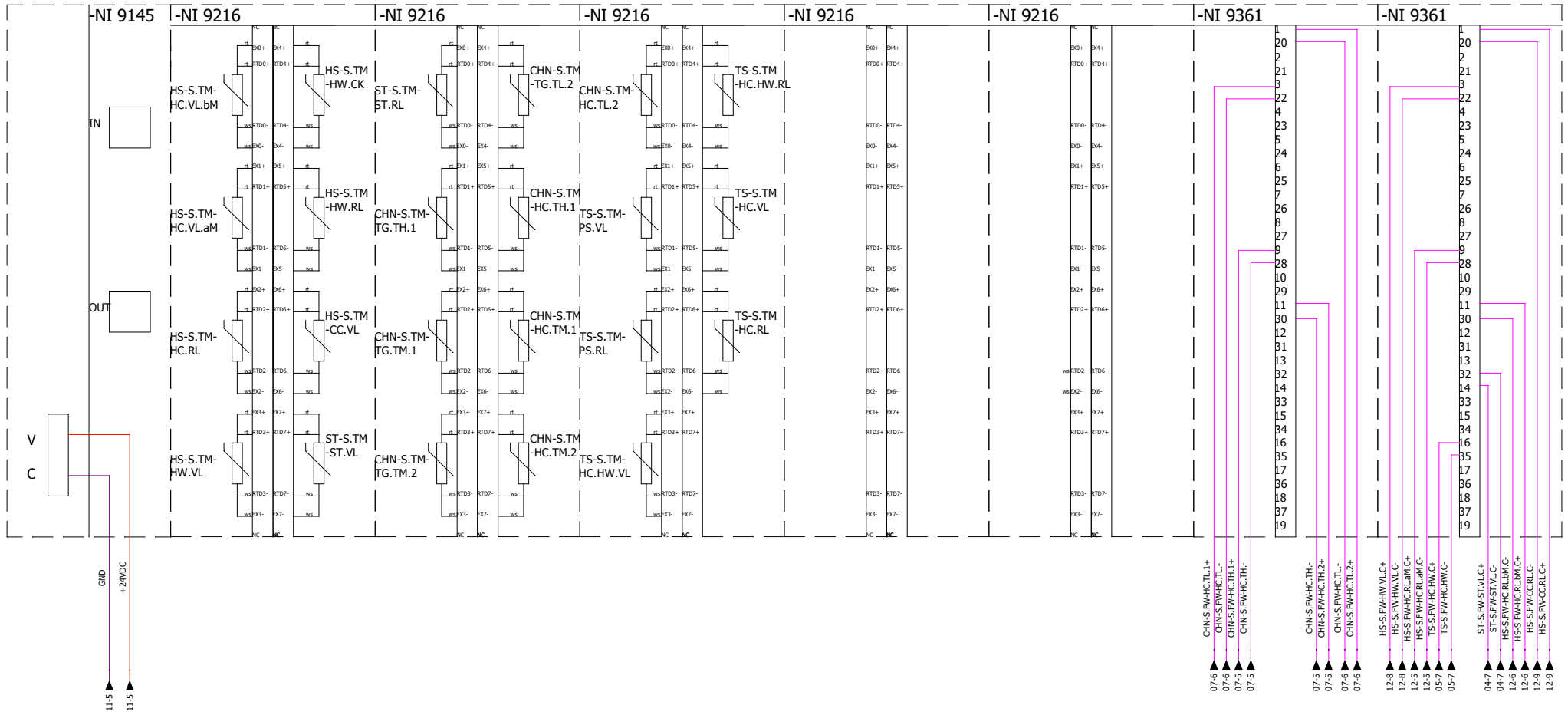
				REVISION
				0
REV.	DATE	NAME	CHANGES	SCHEME
0	26.07.2019	Christian Huber		12
User data 1			User data 2	



		Single family house 1 (SF1)			REVISION
		heatsink			0
CONTRACT:	LOCATION:	+SF1+HS	REV.	DATE	NAME
			0	29.07.2019	Christian Huber
			CHANGES		
			User data 1		SCHEME
			User data 2		13



CONTRACT:		LOCATION: +SF1+HS		Single family house 1 (SF1) heatsink			REVISION
							0
REV.	DATE	NAME	CHANGES	User data 1			SCHEME
0	29.07.2019	Christian Huber		User data 2			14



Single family house 1 (SF1)
heatsink

CONTRACT:

LOCATION: +SF1+HS

				REVISION
				0
0	29.07.2019	Christian Huber		
REV.	DATE	NAME	CHANGES	
User data 1			User data 2	
				SCHEME
				15